

# ROCKDALE COUNTY, GEORGIA

December 19, 2023

## FENCING ON-CALL UNIT PRICE CONTRACT

INVITATION TO BID  
No. 23-31



ROCKDALE COUNTY FINANCE DEPARTMENT  
PROCUREMENT DIVISION  
958 MILSTEAD AVENUE  
CONYERS, GA 30012  
770-278-7552

**INTRODUCTION:**

This is an Invitation to Bid (ITB) for a Fencing On-Call Unit Price Contract in Rockdale County. Instructions for preparation and submission of a bid are contained in this packet. Bids must be typed or printed in ink.

Rockdale County provides equal opportunity for all businesses and does not discriminate against any person or business because of race, color, religion, sex, national origin, and handicap, or veterans' status. This policy ensures all segments of the business community have access to supplying the goods and services needed by Rockdale County.

**PURCHASING CONTACT FOR THIS REQUEST:**

All questions concerning this ITB and all questions arising subsequent to award are to be addressed to the Purchasing Division via email to Adrienne Brown, at [Adrienne.m.brown@rockdalecountyga.gov](mailto:Adrienne.m.brown@rockdalecountyga.gov) or the following address:

Rockdale County Finance Department  
Purchasing Division  
Attn: Adrienne Brown  
958 Milstead Avenue  
Conyers, GA 30012  
Phone: (770) 278-7557, Fax (770) 278-8910  
E-mail: [Adrienne.m.brown@rockdalecountyga.gov](mailto:Adrienne.m.brown@rockdalecountyga.gov)

To maintain a "level playing field", and to assure that all bidders receive the same information, bidders are requested **NOT** to contact anyone other than the contact above until after the award of the contract. Doing so could result in disqualification of the bidder.

**BID COPIES FOR EVALUATION:**

One (1) hard copy, one (1) original hard copy, and one (1) USB Flash Drive in Adobe PDF format will be required for review purposes. *(Original must be clearly marked "Original" and the Copies clearly marked "Copies.")*. Flash Drives that are blank or have incorrect information on them will not be acceptable and may be justification for disqualification. Check your Flash Drive(s) to ensure that they have the appropriate material on it before submitting.

All bid materials must be completed and enclosed in a sealed envelope prior to submittal. The ITB number must be clearly written on the outside of the envelope. **Incomplete, incorrect, unsealed, unmarked, or improperly submitted bids may be rejected.**

**CONTRACT TERM:**

The Contract Term will be for one (1) year with the option to renew two (2) additional years renewable each year for a twelve-month term.

Because this contract contains two (2) renewal periods and the price of materials is subject to change from year to year, it is appropriate to allow the Contractor to offer price increases prior to the renewal of the contract for the following year. Therefore, 90 days prior to the end of the contract, the Contractor will advise the County in writing of their desire to renew the contract and will provide the County with an updated price list (this should be the same price list from the original bid with any necessary additions that became evident during the previous year's operations). The County will review the price increases and if necessary, negotiate with the Contractor to finalize pricing. Once both parties have agreed to the contract extension pricing, the County will prepare an Amendment to the original contract outlining the extension period, the new pricing that has been approved by both parties, and any other changes to the contract that become necessary to improve the operational effectiveness of the Agreement.

**ESCALATION CLAUSE:**

During the life of the contract, if the successful bidder requests a price increase, the successful bidder shall furnish price lists to the County for his/her increases and those of his/her supplier (e.g., factory) increases, as and if prices are changed. Also furnish a list of his/her supplier's (e.g., factory) prices that had been in effect during bidder's earlier prices; so that County can see the difference. Price change will be in effect only after receipt and approval of one copy of these price lists, (or catalogs), by the Rockdale County Purchasing Department. Price lists and changes thereto are to be furnished under the contract and without charge to the County. Catalogue(s) or Price List(s) are to be submitted to Purchasing Department, P.O. Box 289, Conyers, GA 30012. All price increases will require Board of Commissioners approval as a change order to the contract.

**DUE DATE:**

Sealed bids will be received at the Rockdale County Finance Department, Procurement Division, 958 Milstead Avenue, Conyers, GA 30012 no later than **2:00 P.M., local time, Thursday, January 11, 2024**. Bids received after this time will not be accepted. Bidders are not required to attend bid opening.

**QUESTIONS AND CLARIFICATIONS:**

All questions and/or requests for clarifications concerning this ITB must be submitted to the Purchasing Division via email to Adrienne Brown at [Adrienne.m.brown@rockdalecountyga.gov](mailto:Adrienne.m.brown@rockdalecountyga.gov) or at the above address no later than **2:00 p.m., local time, on Thursday, January 4, 2024**. It shall be the Bidders responsibility to seek clarification as early as possible prior to the due date and time. Written responses from the County to the questions it receives will be in an addendum and posted to the County's website at [www.rockdalecountyga.gov](http://www.rockdalecountyga.gov), under Bid Opportunities. Questions or requests for clarifications received after this deadline will not receive a response.

**ADDENDA:**

Answers to questions submitted that materially change the conditions and specifications of this ITB will be issued in an addendum and posted to the County's website at [www.rockdalecountyga.gov](http://www.rockdalecountyga.gov) under Bid Opportunities. Any discussions or documents will be considered non-binding unless incorporated and issued in an addendum.

**It is the bidder's responsibility to check the Rockdale County website at [www.rockdalecountyga.gov](http://www.rockdalecountyga.gov), under Bid Opportunities for any addenda that may be issued, prior to submitting a bid for this ITB.**

**WARRANTY AND / OR GUARANTY:**

The bidder will state below or will furnish a separate letter attachment which fully explains the condition of Warranty and/or Guaranty. If no Warranty and/or Guaranty is applicable, it must be so stated. NOTE: Failure to respond to the requirement of this paragraph may result in the bid being non-responsive.

**QUALIFICATIONS OF OFFERORS:**

Bidders must have a current business license from their home office jurisdiction and provide a copy of that license with the submittal of their bid response. Rockdale County vendors doing business in Rockdale County must have a current Rockdale County Business License.

Bids from any offeror that is in default on the payment of any taxes, license fees, or other monies due to Rockdale County will not be accepted.

Bidders are to submit at least **three (3) references** from projects with similar experience using the materials and process in this Invitation to Bid.

**DEBRIEFINGS:**

In lieu of Post-Award debriefings, Rockdale County's will provide the "Selection Package" at the time of the Selection Announcement (also referred to as the Announcement of Entering into Negotiations). The "Selection Package" will include the scores of phases for all firms who responded and will typically be provided as a PDF file and e-mailed.

**SILENCE OF SPECIFICATIONS**

The apparent silence of these specifications and any supplemental specifications as to any details, or the omission from it of a detailed description concerning any point, shall be regarded as meaning that only the best commercial practices are to prevail and that only materials of first quality and correct type, size and design are to be used. All workmanship is to be first quality. All interpretations of this specification shall be made upon the basis of this statement, with County interpretation to prevail.

**OPTION TO AUDIT**

Successful bidder will be required to maintain complete records during the life of the contract and for a period of one year after completion of the contract. Such records are to be made available to the County if officially requested, to be audited by a designated County auditing staff. If such audits reveal overcharges and/or undercharges, such will be adjusted, and compensation made by either party to correct charges.

**TORT IMMUNITY:**

No officer, employee, or agent of the County acting within the scope of his/her employment or function shall be held personally liable in tort or named as a defendant in any action for injury or damage suffered because of any act, event, or failure to act.

**SUBMITTAL COST AND CONFIDENTIALITY**

Careful consideration should be given before submitting confidential information to Rockdale County. The Georgia Open Records Act permits public scrutiny of most materials collected as part of this process. Please clearly mark any information that is considered a trade secret, as defined by the Georgia Trade Secrets Act of 1990, O.C.G.A. §10-1-760 et seq., as trade secrets are exempt from disclosure under the Open Records Act. Rockdale County does not guarantee the confidentiality of any information not clearly marked as a trade secret.

**AWARD OF CONTRACT:**

The Rockdale County Procurement Office and/or Evaluation Committee make a recommendation for award. The Board of Commissioners will make the actual award of the contract and has the authority to award the contract to a company different than the company recommended by the Procurement Office and/or Evaluation Committee. Rockdale County reserves the right to make no awards, multiple awards, one award for all items; or whatever the County deems to be in its best interest.

**QUANTITIES:**

The quantities listed in the Bidders Response Schedule are provided as an estimate for bid purposes. The County will not be obligated to quantities beyond actual needs.

**SELECTION PROCESS:**

The Rockdale County Procurement Office and/or Evaluation Committee make a recommendation for award. The Board of Commissioners will make the actual award of the contract and has the authority to award the contract to a company different than the company recommended by the Purchasing Department and/or Evaluation Committee.

This is a past performance/quality/price trade-off source selection in which competing offeror's past and present

performance history and product quality will be evaluated on a basis approximately equal to price. Award will be made to the responsible offeror whose bid represents the best value after evaluation in accordance with the factors listed below. Rockdale County Board of Commissioners may reject any or all bids if such action is in the county's interest.

Rockdale County may evaluate bids and award a contract without discussions with offerors. Therefore, the offeror's initial bid should contain the offeror's best terms from a price and technical standpoint. The County reserves the right to conduct discussions if the County later determines them to be necessary.

### **INSURANCE:**

Before starting any work, the successful contractor must furnish to Rockdale County certificate(s) of insurance from companies doing business in Georgia. The Company shall maintain in full force and effect the following insurance during the term of the Agreement:

<u>Coverages:</u>	<u>Limits of Liability:</u>
Workers' Compensation	Statutory
Employers' Liability	\$1,000,000.00
Bodily Injury Liability	\$1,000,000.00 each occurrence
except Automobile	\$1,000,000.00 aggregate
Property Damage Liability	\$1,000,000.00 each occurrence
except Automobile	\$1,000,000.00 aggregate
Personal & Advertising Injury Limit	\$1,000,000.00
Products / Completed Ops.	\$2,000,000.00 aggregate
Automobile Bodily Injury	\$1,000,000.00 each person
Liability	\$1,000,000.00 each occurrence
Automobile Property Damage	\$1,000,000.00 each occurrence
Liability	
General Liability	\$1,000,000.00

All insurance shall be provided by an insurer(s) acceptable to the County and shall provide for thirty (30) days prior notice of cancellation to the County. Upon contract award, Contractor shall deliver to the County a certificate or policy of insurance evidencing Contractor's compliance with this paragraph. Contractor shall abide by all terms and conditions of the insurance and shall do nothing to impair or invalidate the coverage.

Rockdale, GA shall be named as Additional Insured under any General Liability, Business Auto and Umbrella Policies using ISO Additional Insured Endorsement forms CG 2010 or its equivalent. Coverage shall apply as Primary and non-contributory with Waiver of Subrogation in favor of Rockdale County, Georgia.

The insurance carrier must have a minimum rating of A or higher as determined by the rating firm A.M. Best.

Certificates must contain policy number, policy limits, and policy expiration date of all policies. The Invitation to Bid (ITB) number and project name must be inserted in the Description of Operations section of the certificate.

Certificates are to be issued to:  
 Rockdale County, Georgia  
 958 Milstead Avenue  
 Conyers, GA 30012

**PERMITS:**

The awarded contractor will be responsible for acquiring any permits that are required for this project/purchase. Rockdale County will waive fees on all permits issued by Rockdale County.

**ILLEGAL IMMIGRATION REFORM AND ENFORCEMENT ACT OF 2011**

Vendors submitting a Qualification package in response to this ITB must complete the Contractor Affidavit under O.C.G.A. §13-10-91(b)(1) which is provided with the ITB package to verify compliance with the Illegal Immigration Reform and Enforcement Act of 2011.

- A. The form must be signed by an authorized officer of the contractor or their authorized agent.
- B. The form must be notarized.
- C. The contractor will be required to have all subcontractors and sub-subcontractors who are engaged to complete physical performance of services under the final contract executed between the County and the contractor complete the appropriate subcontractor and sub-subcontractor affidavits and return them to the County a minimum of five (5) days prior to any work being accomplished by said subcontractor or sub-subcontractor. Format for this affidavit can be provided to the contractor if necessary.

**PIGGYBACKING**

Rockdale County encourages and agrees to the successful bidder extending the pricing, terms and conditions of this solicitation or resultant contract to other governmental entities at the discretion of the successful bidder.

**GENERAL INFORMATION:****RECEIPT OF BID:**

No bids received after said time or at any place other than the time and place as stated in the notice shall be considered. No responsibility shall attach to Rockdale County for the premature opening of a bid not properly addressed and identified.

**WITHDRAWAL OF BID:**

A bidder may withdraw his bid before the bid due date, without prejudice to the bidder, by submitting a written request of withdrawal to the Rockdale County Procurement Office.

**REJECTION OF BID:**

Rockdale County may reject any and all bids and must reject a bid of any party who has been delinquent or unfaithful in any formal contract with Rockdale County. Also, the right is reserved to waive any irregularities or informalities in any bid in the proposing procedure. Rockdale County shall be the sole judge as to which bid is best, and in ascertaining this, will take into consideration the business integrity, financial resources, facilities for performing the work, and experience in similar operations of the various bidders.

**STATEMENT OF EXPERIENCE AND QUALIFICATIONS:**

The bidder may be required, upon request, to prove to the satisfaction of Rockdale County that he/she has the skill, experience, necessary facilities, and ample financial resources to perform the contract(s) in a satisfactory manner and within the required time. If the available evidence of competency of any bidder is not satisfactory, the bid of such bidder may be rejected. The successful bidder is required to comply with and abide by all applicable federal and state laws in effect at the time the contract is awarded.

**NON-COLLUSION AFFIDAVIT:**

By submitting a bid, the bidder represents and warrants that such bid is genuine and not sham or collusive or made in the interest or in behalf of any person not therein named, that the bidder has not directly or indirectly induced or solicited any other bidder to put in a sham bid, or any other person, firm or corporation to refrain from proposing and that the bidder has not in any manner sought by collusion to secure to that bidder any advantage over any other bidder.

**INTEREST OF:**

By submitting a bid, the bidder represents and warrants that a Commissioner, Administrator, employee, nor any other person employed by Rockdale County has, in any manner, an interest, directly or indirectly, in the bid or in the contract which may be made under it, or in any expected profits to arise therefrom.

**DOCUMENTS DEEMED PART OF THE CONTRACT:**

The notice, invitation to bidders, general conditions, and instructions for bidders, special conditions, specifications, bid, and addenda, if any, will be deemed part of the contract.

**GOVERNING LAWS:**

This contract is made under and shall be governed and construed in accordance with the laws of the State of Georgia.

**ERRORS AND OMISSIONS:**

The vendor shall not take advantage of any errors or omissions in this Bid Request and shall promptly notify Rockdale County of any omissions or errors found in this document.

**STANDARD INSTRUCTIONS:**

1. The instructions contained herein shall be construed as a part of any bid invitation and/or specifications issued by Rockdale County and must be followed by each bidder.
2. The written specifications contained in this bid shall not be changed or superseded except by written addendum from Rockdale County. Failure to comply with the written specifications for this bid may result in disqualification by Rockdale County.
3. All goods and materials shall be F.O.B. Destination Conyers, Georgia and no freight or postage charges will be paid by Rockdale County unless such charges are included in the bid price.
4. The following **ITB# 23-31** must be written clearly on the outside of each bid envelope in order to avoid prior opening in error.
5. All bids must be received and in-hand at bid due date and time. Each bidder assumes the responsibility for having his/her bid received at the designated time and place of bid due date. Bids received after the stated time and date may be subject to rejection without consideration, regardless of postmark. Rockdale County accepts no responsibility for mail delivery.
6. Unless otherwise stated, all bids submitted shall be valid and may not be withdrawn for a period of 120 days from the due date.
7. Each bid form submitted must include the name of the business, mailing address, the name, title and signature of the person submitting the bid. When submitting a bid to Rockdale County the first page of your bid package should be the bid form listing the price, delivery date, etc., unless the bid form is requested to be in a separate envelope.
8. Rockdale County reserves the right to accept a bid that is not the lowest price if, in the County's judgment, such bid is in the best interest of the County and the public. The County reserves the right to reject any and all bids.
9. Telephone or Emailed bids will not be accepted.
10. No sales tax will be charged on any orders except for contracts that include construction materials being purchased through a third party.

Federal I.D. #58-6000882  
Sales Tax Exempt #308750008
11. If applicable, completed questionnaires must be signed manually. Rockdale County reserves the right to accept or reject any bid on the basis of incomplete or inaccurate answers to the questionnaire.
12. If applicable, warranty information shall be provided.
13. Bidders shall state delivery time after receiving order.
14. Bidders shall identify any subcontractors and include an explanation of the service or product that they may provide.



**BID SPECIFICATIONS:**

General: Rockdale is seeking unit pricing for a variety of fencing for various projects.

**1. Locations:**

- a. The county has 14 parks in Rockdale county and may utilize fencing contractor at any park.
- b. All locations are within 20 miles from downtown Conyers.
- c. The County may use this contract to negotiate fence prices at other properties.

**2. Experience:**

- a. Contractor shall have not less than 3 years' experience furnishing and installing chain link fencing.
- b. Contractor shall provide 3 references and complete the Contractor Qualification Statement and Questionnaire.

**3. Sitework:**

- a. Contractor is not required to perform any sitework with this scope.
- b. The county will clear the path of the fence line.
- c. County will provide any grading necessary to smooth site down to allow contractor to install the fencing.

**4. Work in place:**

- a. Contractor is responsible for furnishing and installing all fence posts, top rails, bottom tension line, braces fabric, brackets, fasteners, and all equipment needed to perform the scope of work.
- b. Contractor is responsible for digging holes for posts and providing concrete to stabilize the posts as needed.

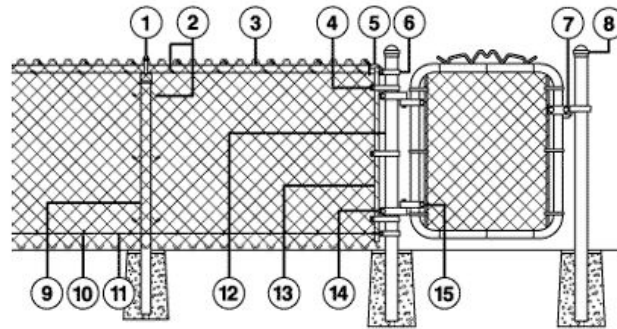
**5. Chain link Fencing:**

- a. Contractor shall provide fencing per the diagram below to include the following:
  - i. Corner and end posts shall be 16 gauge no less than 2 3/8" diameter
  - ii. Line posts shall be 16 gauge no less than 1 5/8" diameter
  - iii. Fence fabric to be 2" x 9 gauge or 2" x 11 gauge
  - iv. Top rail
  - v. Bottom tension wire
  - vi. Bands, ties, brackets, post tops, latches, hinges, clips, and tensions bars
- b. Fence options to be as follows:
  - i. Galvanized fencing:
    1. Pricing to be per linear foot furnished and installed
    2. Posts, fabric and all items to be galvanized
    3. Height options to be 4ft, 5ft, and 6ft
  - ii. Black vinyl fencing:
    1. Pricing to be per linear foot furnished and installed
    2. Posts and all items shall be painted black to match fabric
    3. Fabric shall be black vinyl coated
    4. Height options to be 4ft, 5ft, and 6ft

- c. Gates:
- i. Contractor shall provide pricing for the following options:
    1. Single gates, 4ft high, 5ft high and 6ft high:
      - a. 4ft wide galvanized and black vinyl

### CHAIN-LINK FENCE AND GATE

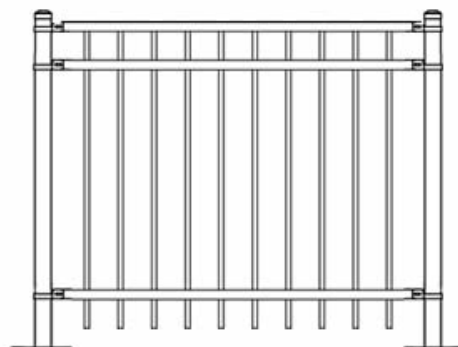
#### PARTS LIST



- |                 |                     |                       |
|-----------------|---------------------|-----------------------|
| ① Line Post Top | ⑥ Rail End Band     | ⑪ Bottom Tension Wire |
| ② Fence Tie     | ⑦ Gate Fork Latch   | ⑫ Terminal Post       |
| ③ Top Rail      | ⑧ Terminal Post Cap | ⑬ Tension Bar         |
| ④ Tension Band  | ⑨ Line Post         | ⑭ Gate Post Hinge     |
| ⑤ Rail End      | ⑩ Tension Wire Clip | ⑮ Gate Frame Hinge    |

### 6. Steel fencing:

- a. Contractor to provide light commercial steel fencing per the diagram below to include the following at minimum:
  - i. Posts shall be 2.5" x 16 ga nominal
  - ii. Rails shall be 1.5" x 14 ga nominal
  - iii. Pickets shall be 5/8" or 3/4" x 18 ga nominal
  - iv. All posts, rails, pickets, brackets, and screws to be powder coated black
  - v. Fence shall be three rail (2 top, 1 bottom) with flush top posts
  - vi. Joints shall be welded
- b. Fence height shall be 4ft, 5ft, and 6ft
- c. Gate options shall be as follows:
  - i. Single flat top, 4ft, 5ft, or 6ft tall by 4ft wide
- d. Basis for design shall be Ameristar "Montage Plus" or equal



Flat top

## BID FORM – ITB #23-31

Instructions: Complete all FOUR parts of this bid form.

### PART I: Bid Summary

Complete the information below. If you wish to submit more than one brand, make a photocopy of this Bid Form.

	<b>Chain Link Fencing</b>		
1.	<b>Furnish &amp; Install - galvanized, 9ga, 4ft</b>	\$	/LF
2.	<b>Furnish &amp; Install – galvanized, 9ga, 5ft</b>	\$	/LF
3.	<b>Furnish &amp; Install – galvanized, 9ga, 6ft</b>	\$	/LF
4.	<b>Furnish &amp; Install – galvanized, 11ga, 4ft</b>	\$	/LF
5.	<b>Furnish &amp; Install – galvanized, 11ga, 5ft</b>	\$	/LF
6.	<b>Furnish &amp; Install – galvanized, 11ga, 6ft</b>	\$	/LF
7.	<b>Furnish &amp; Install – black vinyl, 9ga, 4ft</b>	\$	/LF
8.	<b>Furnish &amp; Install – black vinyl, 9ga 5ft</b>	\$	/LF
9.	<b>Furnish &amp; Install – black vinyl, 9ga, 6ft</b>	\$	/LF
10.	<b>Furnish &amp; Install – black vinyl, 11ga, 4ft</b>	\$	/LF
11.	<b>Furnish &amp; Install – black vinyl, 11ga, 5ft</b>	\$	/LF
12.	<b>Furnish &amp; Install – black vinyl, 11ga, 6ft</b>	\$	/LF
13.	<b>Furnish &amp; Install gate – galvanized, 4ft high, 4ft single</b>	\$	/EA
14.	<b>Furnish &amp; Install gate – galvanized, 5ft high, 4ft single</b>	\$	/EA
15.	<b>Furnish &amp; Install gate – galvanized, 6ft high, 4ft single</b>	\$	/EA
16.	<b>Furnish &amp; Install gate – black vinyl, 4ft high, 4ft single</b>	\$	/EA
17.	<b>Furnish &amp; Install gate – black vinyl, 5ft high, 4ft single</b>	\$	/EA
18.	<b>Furnish &amp; Install gate – black vinyl, 6ft high, 4ft single</b>	\$	/EA
	<b>Welded Steel Fencing</b>		
19.	<b>Furnish &amp; Install – black steel, 4ft high</b>	\$	/LF
20.	<b>Furnish &amp; Install – black steel, 5ft high</b>	\$	/LF

21.	<b>Furnish &amp; Install – black steel, 6ft high</b>	\$	/LF
22.	<b>Furnish &amp; Install gate – black steel, 4ft high, 4ft single</b>	\$	/EA
23.	<b>Furnish &amp; Install gate – black steel, 5ft high, 4ft single</b>	\$	/EA
24.	<b>Furnish &amp; Install gate – black steel, 6ft high, 4ft single</b>	\$	/EA
	<b>TOTAL LUMP SUM AMOUNT</b>	\$	

**PART II: Bid Summary**

Complete the information below. If you wish to submit more than one brand, make a photocopy of this Bid Form.

**PART III: Addenda Acknowledgements (if applicable)**

Each vendor is responsible for determining that all addenda issued by the Rockdale County Finance Department – Purchasing Division have been received before submitting a bid.

Addenda	Date Vendor Received	Initials
"1"		
"2"		
"3"		
"4"		
"5"		
"6"		

**PART IV: Vendor Information:**

Vendor Name	
Address	
Telephone	
E-Mail	
Representative (print name)	
Signature of Representative	
Date Submitted	

### Contractor Affidavit under O.C.G.A. §13-10-91(b)(1)

By executing this affidavit, the undersigned contractor verifies its compliance with O.C.G.A. §13-10-91, stating affirmatively that the individual, firm or corporation which is engaged in the physical performance of services on behalf of (name of public employer) has registered with, is authorized to use and uses the federal work authorization program commonly known as E-Verify, or any subsequent replacement program, in accordance with the applicable provisions and deadlines established in O.C.G.A. §13-10-91. Furthermore, the undersigned contractor will continue to use the federal work authorization program throughout the contract period and the undersigned contractor will contract for the physical performance of services in satisfaction of such contract only with subcontractors who present an affidavit to the contractor with the information required by O.C.G.A. §13-10-91(b). Contractor hereby attests that its federal work authorization user identification number and date of authorization are as follows:

\_\_\_\_\_  
Federal Work Authorization User Identification Number

\_\_\_\_\_  
Date of Authorization

\_\_\_\_\_  
Name of Contractor

\_\_\_\_\_  
Name of Project

\_\_\_\_\_  
Name of Public Employer

I hereby declare under penalty of perjury that the foregoing is true and correct.

Executed on \_\_\_\_\_, \_\_, 202\_\_ in \_\_\_\_\_ (city), \_\_\_\_\_ (state).

\_\_\_\_\_  
Signature of Authorized Officer or Agent

\_\_\_\_\_  
Printed Name and Title of Authorized Officer or Agent

SUBSCRIBED AND SWORN BEFORE ME  
ON THIS THE \_\_\_\_\_ DAY OF \_\_\_\_\_, 202\_\_.

\_\_\_\_\_  
NOTARY PUBLIC  
My Commission Expires:  
\_\_\_\_\_

### Subcontractor Affidavit under O.C.G.A. § 13-10-91(b)(3)

By executing this affidavit, the undersigned subcontractor verifies its compliance with O.C.G.A. § 13-10-91, stating affirmatively that the individual, firm or corporation which is engaged in the physical performance of services under a contract with (name of contractor) on behalf of (name of public employer) has registered with, is authorized to use and uses the federal work authorization program commonly known as E-Verify, or any subsequent replacement program, in accordance with the applicable provisions and deadlines established in O.C.G.A. § 13-10-91. Furthermore, the undersigned subcontractor will continue to use the federal work authorization program throughout the contract period and the undersigned subcontractor will contract for the physical performance of services in satisfaction of such contract only with sub-subcontractors who present an affidavit to the subcontractor with the information required by O.C.G.A. § 13-10-91(b). Additionally, the undersigned subcontractor will forward notice of the receipt of an affidavit from a sub-subcontractor to the contractor within five business days of receipt. If the undersigned subcontractor receives notice that a sub-subcontractor has received an affidavit from any other contracted sub-subcontractor, the undersigned subcontractor must forward, within five business days of receipt, a copy of the notice to the contractor. Subcontractor hereby attests that its federal work authorization user identification number and date of authorization are as follows:

\_\_\_\_\_  
Federal Work Authorization User Identification Number

\_\_\_\_\_  
Date of Authorization

\_\_\_\_\_  
Name of Subcontractor

\_\_\_\_\_  
Name of Project

\_\_\_\_\_  
Name of Public Employer

I hereby declare under penalty of perjury that the foregoing is true and correct.

Executed on \_\_\_\_\_, \_\_\_, 202\_\_ in \_\_\_\_\_(city), \_\_\_\_\_(state).

\_\_\_\_\_  
Signature of Authorized Officer or Agent

\_\_\_\_\_  
Printed Name and Title of Authorized Officer or Agent

SUBSCRIBED AND SWORN BEFORE ME  
ON THIS THE \_\_\_\_\_ DAY OF \_\_\_\_\_, 202\_\_.

\_\_\_\_\_  
NOTARY PUBLIC  
My Commission Expires:

## Sub-subcontractor Affidavit under O.C.G.A. §13-10-91(b)(4)

By executing this affidavit, the undersigned sub-subcontractor verifies its compliance with O.C.G.A. §13-10-91, stating affirmatively that the individual, firm or corporation which is engaged in the physical performance of services under a contract for (name of subcontractor or sub-subcontractor with whom such sub-subcontractor has privity of contract) and (name of contractor) on behalf of (name of public employer) has registered with, is authorized to use and uses the federal work authorization program commonly known as E-Verify, or any subsequent replacement program, in accordance with the applicable provisions and deadlines established in O.C.G.A. §13-10-91. Furthermore, the undersigned sub-subcontractor will continue to use the federal work authorization program throughout the contract period and the undersigned sub-subcontractor will contract for the physical performance of services in satisfaction of such contract only with sub-subcontractors who present an affidavit to the sub-subcontractor with the information required by O.C.G.A. §13-10-91(b). The undersigned sub-subcontractor shall submit, at the time of such contract, this affidavit to (name of subcontractor or sub-subcontractor with whom such sub-subcontractor has privity of contract). Additionally, the undersigned sub-subcontractor will forward notice of the receipt of any affidavit from a sub-subcontractor to (name of subcontractor or sub-subcontractor with whom such sub-subcontractor has privity of contract). Sub-subcontractors hereby attest that its federal work authorization user identification number and date of authorization are as follows:

\_\_\_\_\_  
Federal Work Authorization User Identification Number

\_\_\_\_\_  
Date of Authorization

\_\_\_\_\_  
Name of Sub-Subcontractor

\_\_\_\_\_  
Name of Project

\_\_\_\_\_  
Name of Public Employer

I hereby declare under penalty of perjury that the foregoing is true and correct.

Executed on \_\_\_\_\_, \_\_\_\_, 202\_\_ in \_\_\_\_\_ (city), \_\_\_\_\_ (state).

\_\_\_\_\_  
Signature of Authorized Officer or Agent

\_\_\_\_\_  
Printed Name and Title of Authorized Officer or Agent

SUBSCRIBED AND SWORN BEFORE ME  
ON THIS THE \_\_\_\_\_ DAY OF \_\_\_\_\_, 202\_\_.

\_\_\_\_\_  
NOTARY PUBLIC

My Commission Expires: \_\_\_\_\_

### Affidavit Verifying Status for County Public Benefit Application

By executing this affidavit under oath, as an applicant for the award of a contract with Rockdale, County Georgia, I \_\_\_\_\_ . [Name of natural person applying on behalf of individual, business, corporation, partnership, or other private entity] am stating the following as required by O.C.G.A. Section 50-36-1:

1) \_\_\_\_\_ I am a United States citizen

**OR**

2) \_\_\_\_\_ I am a legal permanent resident 18 years of age or older or I am an otherwise qualified alien or non-immigrant under the Federal Immigration and Nationality Act 18 years of age or older and lawfully present in the United States.\*

In making the above representation under oath, I understand that any person who knowingly and willfully makes a false, fictitious, or fraudulent statement or representation in an affidavit shall be guilty of a violation of Code Section 16-10-20 of the Official Code of Georgia.

\_\_\_\_\_  
Signature of Applicant:

\_\_\_\_\_  
Date

\_\_\_\_\_  
Printed Name:

\*  
\_\_\_\_\_  
Alien Registration number for non-citizens

SUBSCRIBED AND SWORN  
BEFORE ME ON THIS THE  
\_\_\_\_\_ DAY OF \_\_\_\_\_, 202\_\_.

\_\_\_\_\_  
Notary Public  
My commission Expires:

**\*Note:** O.C.G.A. § 50-36-1(e)(2) requires that aliens under the federal Immigration and Nationality Act, Title 8 U.S.C., as amended, provide their registration number. Because legal permanent residents are included in the federal definition of “alien”, legal permanent residents must also provide their alien registration number. Qualified aliens that do not have an alien registration number may supply another identifying number below.

\_\_\_\_\_



## CONTRACTOR'S QUALIFICATION STATEMENT AND QUESTIONNAIRE

NAME OF PROPOSED CONTRACTOR: \_\_\_\_\_

### **I. INSTRUCTIONS**

- A. All questions are to be answered in full. If copies of other documents will answer the question completely, they may be attached and clearly labeled. If additional space is needed, additional pages may be attached and clearly labeled.
- B. The owner, Rockdale County, Georgia, its agents and representatives, shall be entitled to contact each and every reference listed in response to this questionnaire, and each entity referenced in any response to any question in this questionnaire. By completing this questionnaire, the contractor expressly agrees that any information concerning the contractor in possession of said entities and references may be made available to the owner.
- C. Only complete and accurate information shall be provided by the contractor. The contractor hereby warrants that, to the best of its knowledge and belief, the responses contained herein are true, accurate, and complete. The contractor also acknowledges that the owner is relying on the truth and accuracy of the responses contained herein. If it is later discovered that any material information given in response to a question was provided by the contractor, knowing it was false, it shall constitute grounds for immediate termination or rescission by the owner of any subsequent agreement between the owner and the contractor. The owner shall also have and retain any other remedies provided by law.
- D. The completed form shall be submitted with contractor's proposals.
- E. This form, its completion by the contractor, and its use by the contractor, and its use by the owner, shall not give rise to any liability on the part of the owner to the contractor or any third party or person.

### **II. GENERAL BACKGROUND**

- A. Current address of contractor: \_\_\_\_\_  
\_\_\_\_\_
- B. Previous Name or address of contractor: \_\_\_\_\_  
\_\_\_\_\_
- C. Current president or CEO and years in position: \_\_\_\_\_
- D. Number of permanent employees: \_\_\_\_\_
- E. Name and address of affiliated companies: \_\_\_\_\_  
\_\_\_\_\_

### **III. FINANCIAL STATUS**

- A. Please attach financial statements for the past three years for which they are complete. If such statements are not available, please furnish the following information:

- 1. LAST COMPLETE FISCAL YEAR:

- A. Revenues (Gross) \_\_\_\_\_
- B. Expenditures (Gross) \_\_\_\_\_
- C. Overhead & Admin (Gross) \_\_\_\_\_
- D. Profit (Gross) \_\_\_\_\_

2. YEAR PRIOR TO "1" ABOVE:

- A. Revenues (Gross) \_\_\_\_\_
- B. Expenditures (Gross) \_\_\_\_\_
- C. Overhead & Admin (Gross) \_\_\_\_\_
- D. Profit (Gross) \_\_\_\_\_

3. YEAR PRIOR TO "2" ABOVE:

- A. Revenues (Gross) \_\_\_\_\_
- B. Expenditures (Gross) \_\_\_\_\_
- C. Overhead & Admin (Gross) \_\_\_\_\_
- D. Profit (Gross) \_\_\_\_\_

**B. BANKRUPTCIES**

1. Has the Contractor, or any of its parents or subsidiaries, ever had a Bankruptcy Petition filed in its name, voluntarily or involuntarily? (If yes, specify date, circumstances, and resolution).

\_\_\_\_\_  
\_\_\_\_\_

2. Has any Majority Shareholder ever had a Bankruptcy Petition filed in his/her name, voluntarily or involuntarily? (If yes, specify date, circumstances, and resolution).

\_\_\_\_\_  
\_\_\_\_\_

**C. BONDING**

1. What is the Contractor's current bonding capacity? \_\_\_\_\_

2. What is the value of the Contractor's work currently under contract? \_\_\_\_\_

**IV. COMPANY EXPERIENCE – SIMILAR PROJECTS**

A. List three projects of reasonably similar nature, scope, and duration performed by your company in the last five years, specifying, where possible, the name and last known address of each owner of those projects:

**Reference/Project #1:**

Name and Address: \_\_\_\_\_

\_\_\_\_\_  
\_\_\_\_\_

Date of Construction/Project:

---

---

Type of Construction/Project:

---

Contract Price:

---

Owner contact info:

---

---

---

Architect/Engineer contact info:  
(if applicable)

---

---

---

**Reference/Project #2:**

Name and Address:

---

---

---

Date of Construction/Project:

---

Type of Construction/Project:

---

Contract Price:

---

Owner contact info:

---

---

---

Architect/Engineer contact info:  
(if applicable)

---

---

---

**Reference/Project #3:**

Name and Address:

---

---

---

Date of Construction/Project:

---

Type of Construction/Project:

---

Contract Price:

---

Owner contact info:

---

---

Architect/Engineer contact info: \_\_\_\_\_  
(if applicable) \_\_\_\_\_  
\_\_\_\_\_

**V. ARBITRATIONS, LITIGATIONS, AND OTHER PROCEEDINGS**

Has your company been involved in any construction arbitration demands filed by, or against, you in the last five years? \_\_\_\_\_

Has your company been involved in any construction-related lawsuits (other than labor or personal injury litigation) filed by, or against, you in the last five years? \_\_\_\_\_

Has your company been involved in any lawsuits, proceedings, or hearings initiated by the National Labor Relations Board or similar state agency in the past seven years? \_\_\_\_\_

Has your company been involved in any lawsuits, proceedings, or hearings initiated by the Occupational Safety and Health Administration concerning the project safety practices of the Contractor in the last seven years? \_\_\_\_\_

Has your company be involved in any lawsuits, proceedings, or hearings initiated by the Internal Revenue Service, or any state revenue department, concerning the tax liability of the Contractor (other than audits) in the last seven years? \_\_\_\_\_

Have any criminal proceedings or investigations been brought against the Contractor in the last ten years? \_\_\_\_\_

If you answered yes to any of the questions above, please identify the nature of the claim, the amount in dispute, the parties, and the ultimate resolution of the proceeding (attach documentation if needed):

\_\_\_\_\_  
\_\_\_\_\_  
\_\_\_\_\_  
\_\_\_\_\_

**VI. COMMENTS**

Please list any additional information that you believe would assist the Owner in evaluating the possibility of using the Contractor on this Project. You may attach such additional information as an Exhibit to this Statement and Questionnaire.

\_\_\_\_\_  
\_\_\_\_\_  
\_\_\_\_\_  
\_\_\_\_\_

I certify to the Owner that the information and responses provided on this Questionnaire are true, accurate and complete. The Owner, or its designated representative, may contact any entity or reference listed in this Questionnaire. Each entity or reference may make any information concerning the Contractor available to the Owner, or its designated representative.

Contractor:

\_\_\_\_\_  
Signature

\_\_\_\_\_  
Date

\_\_\_\_\_  
Title

Sworn to and subscribed before me

This \_\_\_\_\_ day of \_\_\_\_\_

\_\_\_\_\_  
Signature

Notary Public

My Commission Expires:

## SAMPLE CONTRACT (PAGE 1 OF 7)

### CONTRACT FOR FENCING ON-CALL UNIT PRICE

This Agreement entered into on this \_\_\_ day of \_\_\_\_\_, 2023, between ROCKDALE COUNTY, GEORGIA, a political subdivision of the State of Georgia, whose address is 962 Milstead Avenue, Conyers, Georgia 30012, (hereinafter referred to as the "County") and \_\_\_\_\_, a Georgia company, whose address is \_\_\_\_\_, (hereinafter referred to as "Contractor").

WHEREAS, the County desires to engage the services of Contractor for Fencing On-Call Unit Price Contract as detailed in the Invitation to Bid (ITB) No. 23-31; and

WHEREAS, Contractor is qualified to perform this service and desires to render this service to the County as provided herein.

NOW THEREFORE, the County engages the services of Contractor for and in consideration of the mutual promises contained in this Agreement and the parties agree as follows:

1. **Services Provided by Contractor.**

The Contractor will furnish all products, tools, construction equipment, skill and labor of every description necessary to carry out and to complete in a good, firm, substantial workmanlike manner for Fencing On-Call Unit Price Contract in accordance with the County's Invitation to Bid No. 23-XX, incorporated herein by reference, (hereinafter called "Work"), and Contractor's bid dated \_\_\_\_\_, attached hereto and made a part hereof, (hereinafter called "Bid"). Contractor shall provide, at their expense, all vehicles and equipment necessary to provide this Work. The Work shall be performed at the direction of the Director of Recreation and Maintenance or her designee and be consistent with all Federal, State and Local laws.

The Contract Documents, Bid documents, drawings, and invitation to bid are considered essential parts of the Agreement, and requirements occurring in one are as binding as though occurring in all. They are intended to define, describe and provide for all labor necessary to complete the Work in an acceptable manner, ready for use, or operation by the County.

The Contractor shall commence the Work to be performed under this Contract Agreement on a date to be specific in a written Notice to Proceed and shall fully complete all work hereunder as specified in the Notice to Proceed, unless modified and agreed upon by both parties in writing.

2. **Fees and Compensation.**

- (a) All unit pricing is fixed through the initial term of this Agreement as set forth in Contractor's Bid dated \_\_\_\_\_, attached hereto and made a part hereof, unless amended as agreed upon by both parties in writing as detailed in Section 6 of this Agreement. All payments due Contractor hereunder shall be made to Contractor at the location indicated on the invoice. Original invoices must be submitted to: Rockdale County Finance Department, P.O. Box 289, Conyers, GA 30012, Reference Contract No. 2023 - \_\_\_\_\_. Payment is to be made no later than thirty (30) days after submittal of undisputed invoice.

It is understood that the Contractor shall provide and pay for all products, labor (including labor performed after regular working hours, on Saturdays or Sundays, or on legal holidays), tools, construction equipment, supervision, and all other services and facilities of any nature whatsoever necessary to execute, complete, place into operation, and deliver the Work.

The Contractor shall be responsible for any additional expenses incurred by the County as a result of the extended work hours, including resident inspection overtime. The cost associated with resident inspector overtime will be deducted from the Contractor's monthly payment request.

- (b) **Payments Withheld:** The County may decline to approve an application for payment, in whole or in part, as may be necessary to protect the County from loss because of:
- (1) Failure of the Contractor to make payments properly to subcontractors or for labor or products.
  - (2) Unsatisfactory prosecution of the Work by the Contractor either due to quality of the Work or if the Contractor is behind the currently approved construction schedule.

When the above reasons for nonpayment are corrected, then payment will be made for amounts withheld because of such reasons, not later than the next payment.

3. **Effective Dates of Agreement.**

The effective date of this Agreement shall be the date said Agreement is signed by the Chairman of the Rockdale County Board of Commissioners (the "Board"). The term of this Agreement shall be for one (1) year ("Term"), from the date of this Agreement, unless and until terminated as provided below. This agreement has an option to renew two (2) additional one-year periods, unless terminated by either party as detailed in section 13 of this Agreement.

4. **Rejection of Work and Materials.**

All products furnished and all Work completed will be inspected by the County. All products furnished and all Work completed that is not in accordance with the Contract Documents or that is defective will be rejected. All rejected products or Work shall be removed immediately. If rejected products or Work is not removed within 48 hours, the County will have the right and authority to stop the Work immediately and will have the right to arrange for the removal of said rejected products or Work at the cost and expense of the Contractor. Contractor shall warrant all Work completed for a five (5) year period following acceptance of Work.

5. **Supervision of Work.**

The Contractor shall supervise and direct the Work. The Contractor shall be solely responsible for the means, methods, techniques, sequences and procedures of the Work. The Contractor shall employ and maintain on the Work a qualified supervisor or superintendent who shall be designated in writing by the Contractor as the Contractor's representative at the site. The supervisor shall be present on the site at all times as required to perform adequate supervision and coordination of the Work.

The supervisor shall have full authority to act on behalf of the Contractor and to execute the orders or directions of the County without delay. The supervisor shall have full authority to promptly supply products, tools, plant equipment and labor as may be required. The supervisor's authority shall be such that all communication given to the supervisor shall be as binding as if given to the Contractor.

The Contractor shall employ only competent and skilled personnel. The Contractor shall, upon demand from the County, immediately remove any superintendent, foreman or workman whom the County may consider incompetent or undesirable.

6. **Changes in the Contract.**

The County may at any time, as the need arises, order changes within the scope of the Work without invalidating the Contract Agreement. If such changes increase or decrease the amount due under the Contract Documents, or in the time required for performance of the Work, an equitable adjustment will be authorized by Change Order.

Because this contract contains two (2) renewal periods and the price of materials is subject to change from year to year, it is appropriate to allow the Contractor to offer price increases prior to the renewal of the contract for the following year. Therefore, 90 days prior to the end of the contract, the Contractor will advise the County in writing of their desire to

renew the contract and will provide the County with an updated price list (this should be the same price list from the original bid with any necessary additions that became evident during the previous year's operations).

7. **Insurance.**

The Contractor shall not commence any work under this Contract until all insurance, as stipulated in the invitation to bid, has been obtained and such insurance has been approved by the County, nor shall the Contractor allow any subcontractor to commence any work on subcontractor's contract until all similar insurance required of the subcontractor has been so obtained and approved by the Contractor.

8. **Interruption of Facility Operations.**

The Contractor shall provide the County with written notice at least three days prior to any interruption in facility operations required by construction activity. The notice shall include the date and time of the scheduled interruption, the length of time the interruption will be in effect, the procedures to be followed, a complete identification of all those processes, equipment and operations to be affected, and all other information the County may require. The Contractor shall provide any equipment, piping, auxiliary power or other means necessary to sustain facility operations.

9. **Protection of Work, Property and Persons.**

- (a) The Contractor shall be responsible for initiating, maintaining and supervising all safety precautions and programs in connection with the Work. The Contractor shall take all necessary precautions for the safety of, and shall provide the necessary protection to prevent damage, injury or loss to all employees on the Work and other persons who may be affected thereby, all the Work and all products to be incorporated therein, whether in storage on or off the site, and other property at the site or adjacent thereto, including trees, shrubs, lawns, walks, pavements, roadways, structures and utilities not designated for removal, relocation or replacement in the course of construction.
- (b) The Contractor shall comply with the Department of Labor Safety and Health Regulations for construction, promulgated under the Occupational Safety and Health Act of 1970 (PL 91-596) and under Section 107 of the Contract Work Hours and Safety Standards Act (PL 91-54) as amended. The Contractor shall erect and maintain, as required by the conditions and progress of the Work, all necessary safeguards for safety and protection.
- (c) The Contractor shall remedy all damage, injury or loss to any property, improvements or facilities caused, directly or indirectly, in whole or in part, by the Contractor or any of the Contractor's subcontractors or anyone directly or indirectly employed by any of them or anyone for whose acts any of them may be liable. The property, improvements or facilities shall be replaced or restored to a condition as good as when the Contractor entered upon the Work. In case of failure on the part of the Contractor to restore such property, or make good such damages or injury, the County may, after 48 hours written notice, proceed to repair, rebuild, or otherwise restore such property, improvements or facilities as may be deemed necessary. The cost thereof will be deducted from any monies due or which may become due the Contractor under this Contract.
- (d) In emergencies affecting the safety of persons or the Work or property at the site or adjacent thereto, the Contractor, without special instruction or authorization from the County, shall act to prevent threatened damage, injury or loss.
- (e) Completed Work and stored products shall be suitably protected during unseasonable weather, to allow Work to proceed in a timely fashion. Work planned, or in progress, should be performed to minimize impact of adverse weather.

10. **Protection of the Environment.**

- (a) The Contractor shall be responsible for taking all measures required to minimize all types of pollution associated with the undertaking of the proposed Work and shall abide by the requirements of all governmental agencies having jurisdiction over the Work or Contractor's Project operations. This shall include but not be limited to air, water & noise pollution during torch cutting, grinding, burning, and grading operations.
- (b) Any area used or involved in the Project that is disturbed by the Contractor, shall be restored to original or better condition, even though such area is outside the limits of that specified for grading, grassing or landscaping.
- (c) The Contractor is responsible for maintenance of all erosion control measures, final removal of all temporary BMP's,



and irrigation of all permanent vegetative measures until fully established.

11. **Protection, Location and Relocation of Utilities.**

The Contractor shall notify utility owners of the new work in accordance with Georgia Law by calling the Utilities Protection Center (UPC) at 800-282-7411, 72 hours before work is to begin. The Contractor shall protect from damage all existing improvements or utilities at, or in proximity to, the site of the Work, and shall repair or restore any damage to such facilities resulting from failure to exercise reasonable care in the performance of Work. If the Contractor fails or refuses to repair any such damage promptly, the County may have the Work performed and charge the cost thereof to the Contractor.

Prior to the construction or installation of any new Work, the Contractor shall excavate all existing utilities within the vicinity of the Work to their actual vertical and horizontal location. In order to avoid conflicts between existing and new Work, the Contractor shall either relocate the existing utility on a temporary or permanent basis, or shall take whatever means necessary to protect the existing facilities or utilities during the installation of new Work.

12. **Indemnification.**

In addition to its agreement to obtain and maintain insurance as set forth herein, the Contractor agrees to indemnify and hold harmless the County, its officers, agents, and employees, from any and all claims against the County, its officers, agents and employees, which arise out of any act or omission of the Contractor or any of the Contractor’s officers, agents and/or employees, and any and all claims which result from any condition created or maintained by the Contractor or anyone employed by the Contractor or any of their officers, agents or employees, which condition does not specify to be created or maintained by this Contract.

13. **Termination of Agreement.**

In the event either party elects to terminate this Agreement for whatever reason deemed appropriate, written notice shall be provided and termination shall be effective 15 days from receipt of written notice.

14. **Notice.**

Any notice or other communication required or permitted to be given under this Agreement must be in writing and must be mailed by overnight delivery or certified mail, postage prepaid, so that the notifying party can prove delivery of notice and the date thereof, and addressed as follows:

**To the County:**

Rockdale County, Georgia  
Finance Department – Purchasing Division  
Attn: Tina Malone  
P. O. Box 289  
Conyers, Georgia 30012  
Email: [tina.malone@rockdalecountyga.gov](mailto:tina.malone@rockdalecountyga.gov)  
Phone: 770-278-7552

**To the Contractor:**

\_\_\_\_\_  
\_\_\_\_\_  
\_\_\_\_\_  
\_\_\_\_\_  
Email: \_\_\_\_\_  
Phone: \_\_\_\_\_

The addresses stated in this paragraph may be changed by the respective parties upon a documented notice delivered in advance, pursuant to this paragraph.

15. **Assignment.**

The Contractor shall have no right to transfer or assign its interest in this Agreement without the prior written consent of an authorized representative of the County.

16. **Corporate Authority.**

Contractor represents to the County that this Agreement, the transaction contemplated in this Agreement, and the execution and delivery hereof, have been duly authorized by all necessary corporate proceedings and actions, including, without limitation, the action on the part of the directors. The individual executing this Agreement on behalf of Contractor warrants that he or she is authorized to do so and that this Agreement constitutes the legally binding obligation of the corporation.

17. **Waiver.**

No action taken pursuant to this Agreement shall be deemed to constitute a waiver by the party taking such action of compliance with any representation, warranty, covenant or agreement in this Agreement. The waiver by any party of a breach of any provision or condition contained in this Agreement shall not operate or be construed as a waiver of any subsequent breach or of any other conditions.

18. **Severability.**

If any provision of this Agreement or application to any party or circumstances shall be determined by any court of competent jurisdiction to be unenforceable to any extent, the remainder of this Agreement or the application of such provision to such person or circumstances, other than those as to which it is so determined invalid or unenforceable, shall not be affected thereby, and each provision hereof shall be valid and shall be enforced to the fullest extent permitted by law.

19. **Interpretation.**

Should any provision of this Agreement require a judicial interpretation, the parties agree that the body interpreting or construing this Agreement will not apply the assumption that the terms of this Agreement will be more strictly construed against one party by reason of the rule of legal construction that an instrument is to be construed more strictly against the party which itself or through its agents prepared the Agreement. The parties acknowledge and agree that they and their agents have each participated equally in the negotiation and preparation of this Agreement.

20. **Venue & Jurisdiction.**

The County and the Contractor, by entering into this Promissory Note, hereby agree that the courts of Rockdale County, Georgia shall have jurisdiction to hear and determine any claims or disputes between them pertaining directly or indirectly to this Agreement. Contractor expressly submits and consents in advance to such jurisdiction in any action or proceeding commenced in said courts. The choice of forum set forth in this section shall not be deemed to preclude the bringing of any action by the County or the enforcement by the County of any judgment obtained in such forum in any other appropriate jurisdiction. Further, the Contractor hereby waives the right to assert the defense of forum non-conveniens and the right to challenge the venue of any court proceeding.

21. **Governing Law.**

This Agreement shall be construed and interpreted according to the provisions of the laws of the State of Georgia.

22. **Binding Effect.**

This Agreement shall be binding upon the Contractor and its successors and permitted assigns.

23. **Further Assurances.**

The Contractor agrees to execute, acknowledge, seal and deliver, after the date of this Agreement, without additional consideration, such further assurances, instruments and documents, and to take such further actions, as the County may reasonably request in order to fulfill the intent of this Agreement and the transactions contemplated by this Agreement.

24. **Entire Agreement.**

This Agreement, its attachments and essential documents (as provided in ¶ 1 above) represent the entire understanding of the parties with regard to the subject matter of this Agreement. There are no oral agreements, understandings, or representations made by any party to this Agreement that are outside of this Agreement and are not expressly stated in it. No supplement, modification, or amendment of this Agreement will be binding unless executed in writing by all parties.

By signing this Agreement, the parties acknowledge that they have read each and every page of this Agreement before signing same and that they understand and assent to all the terms thereof. In addition, by signing this Agreement, the parties acknowledge that they are entering into this Agreement freely and voluntarily and under no compulsion or duress.

IN WITNESS WHEREOF, the parties have hereunto set their hands and seals on the date and year first above written.

CONTRACTOR'S NAME HERE

ROCKDALE COUNTY, GEORGIA

By: \_\_\_\_\_

By: \_\_\_\_\_  
Osborn Nesbitt, Sr., Chairman

Witness:

Attest:

\_\_\_\_\_

\_\_\_\_\_  
Jennifer Rutledge, County Clerk

Approved as to form:

\_\_\_\_\_  
M. Qader

## BIDDER'S CHECKLIST

\_\_\_\_\_ **ONE (1) HARDCOPY (one original) and ONE (1) FLASH DRIVE (containing a copy in Adobe PDF format) of the following documents: all documents shall be fully completed, signed, and dated:**

- \_\_\_\_\_ **Bid Form (See Page 11-12)**
- \_\_\_\_\_ **Bid Item Table (See Page 11-12)**
- \_\_\_\_\_ **All Applicable Affidavit Forms (See Pages 13-16)**
- \_\_\_\_\_ **Contractor's Qualifications Statement & Questionnaire (See Pages 17-21)**
- \_\_\_\_\_ **Any Proposed Deviations from the Required Specifications, Including Necessary Explanations and Conditions**
- \_\_\_\_\_ **Proof of Business License**
- \_\_\_\_\_ **Proof of Georgia General Contractor**

**The purpose of this checklist is to remind bidders of the documents generally required for the bid submittal. It is the bidder's responsibility to include additional documents requested in the bid that may not be shown on the checklist, if applicable.**