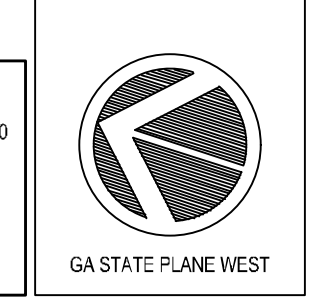
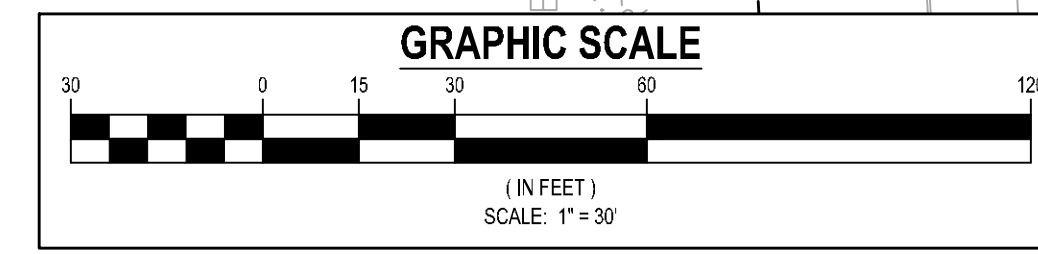


PARCEL 86A-1-02
RESBITERO VEGA
NANCY ZUNIGA VEGA
2921 NORTH TOWER WAY
CONYERS GA 30012
DB.6461 PG.98

PARCEL 86A-1-01
BARBARA STOREY
STANLEY J. STOREY
2911 NORTH TOWER WAY
CONYERS GA 30012
DB.1632 PG.3



DEMOLITION LEGEND:

1 DEMOLISH AND REMOVE	5 REMOVE AND TURN OVER TO OWNER
2 SAVE AND PROTECT	6 TO BE REMOVED BY OWNER
3 SAW CUT LINE	
4 RELOCATE/REMOVE AS NECESSARY	

DEVELOPER
COMPANY: ROCKDALE COUNTY SOC
ADDRESS: P.O. BOX 289
CONYERS, GA 30012
PHONE: 770-278-7289
FAX: XXXXXXXX
CONTACT: ANDREW HAMMER
EMAIL: ANDREW.HAMMER@ROCKDALECOUNTYGA.GOV

JASON P. BROWN
LEVEL II CERTIFIED DESIGN PROFESSIONAL
#53274 - EXP. 05.01.2023

CONTRACTOR
COMPANY: TSD
ADDRESS: -
CONTACT: -
PHONE: -
EMAIL: -

24-HOUR CONTACT
DAVID MCNULTY
(239) 789-5109

SURVEYOR
COMPANY: PATRICK & ASSOCIATES, INC.
ADDRESS: 828 BLACK LAWN RD
CONYERS, GA 30094
PHONE: 770-483-9745
CONTACT: JAMES S. HULL, JR.



SITE DESIGNER
COMPANY: GEORGIA CIVIL, INC.
ADDRESS: P.O. BOX 896
MADISON, GA 30650
PHONE: 706.342.1104

Utilities/Services shown are for Contractors convenience. Items are shown schematically and neither the site design professional nor the contractor are responsible for variations in their actual location. This plan may not show and/or may incorrectly show utilities located on site. Contractor shall be responsible to locate and use the services of a private utility locator firm during the entire course of work and shall pay for said services. Contractor shall locate utilities prior to any excavation (including field marking location and depth of utilities that are to be saved and protected). Contractor shall verify the site design professional of any utility conflicts prior to installation of new utilities, grading, etc. The Contractor at their expense, shall be responsible for repair, replace and/or relocate, as necessary, any utilities damaged, whether shown or not. Agreement, relocation, etc. of utilities shall be coordinated with the respective utility company.

georgia civil
CIVIL ENGINEERING
LANDSCAPE ARCHITECTURE
LAND SURVEYING
311 N. Main St. Ste. 101, Unit C
P.O. Box 896 | Madison, GA 30650
P: 706.342.1104 | F: 706.342.1105
www.georgiacivil.com



ROCKDALE COUNTY FIRE STATION #10
3100 NE HIGHWAY 138
CONYERS, GA 30012
ZONING: WP-WATERSHED PROTECTION DISTRICT

DRAWING DATE: 07.19.22
DRAWN BY: MSF
CHECKED BY: JPB

REVISIONS	DATE:	DESCRIPTION:

© Copyright 2022 georgia civil, inc.
This document and its reproduction are the property of Georgia Civil, Inc. and may not be reproduced, published, or used in whole or in part without the written consent of Georgia Civil, Inc.

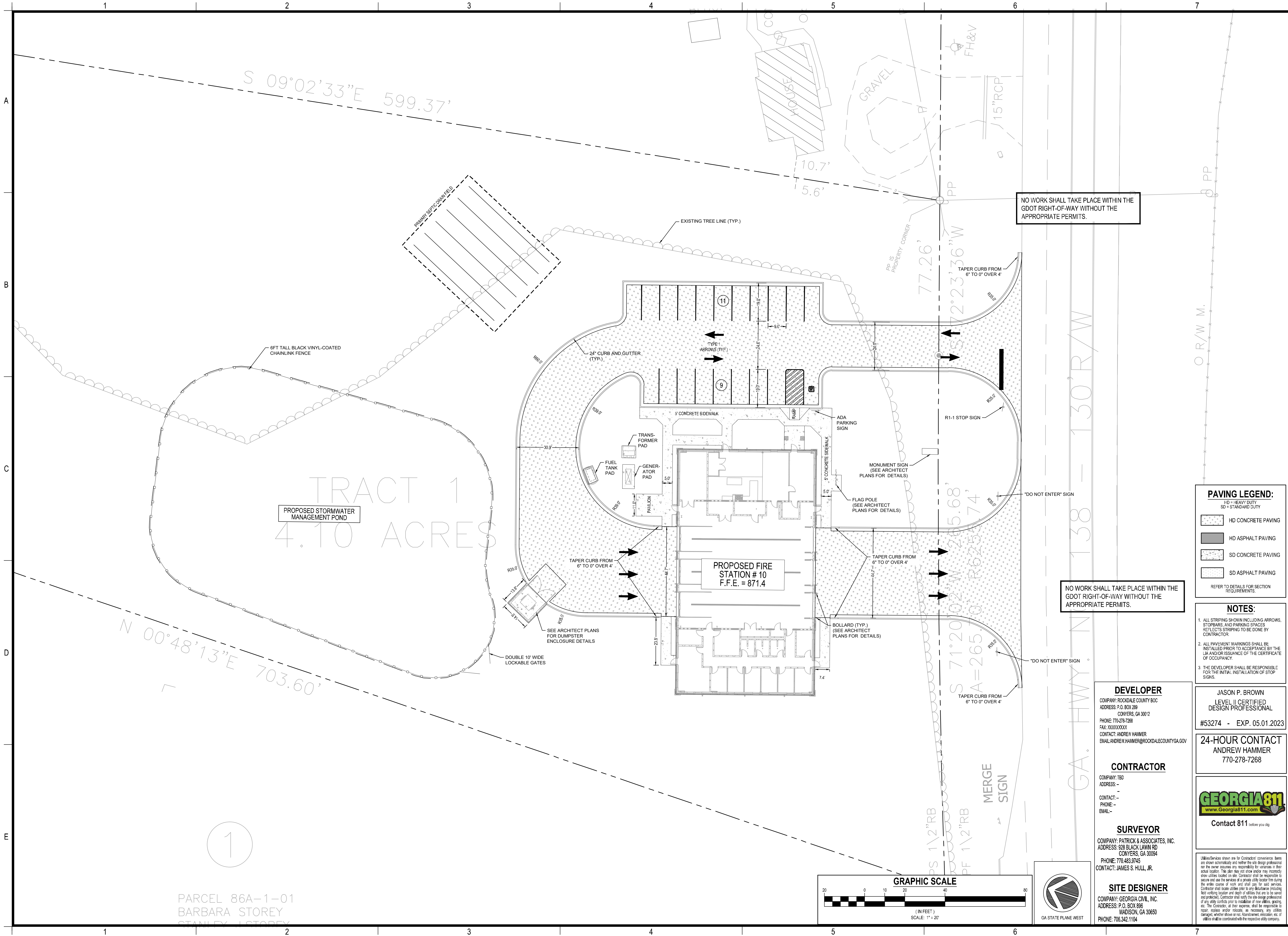
DEMOLITION AND REMOVAL PLAN
Sheet Number
C-2.0



Project Information

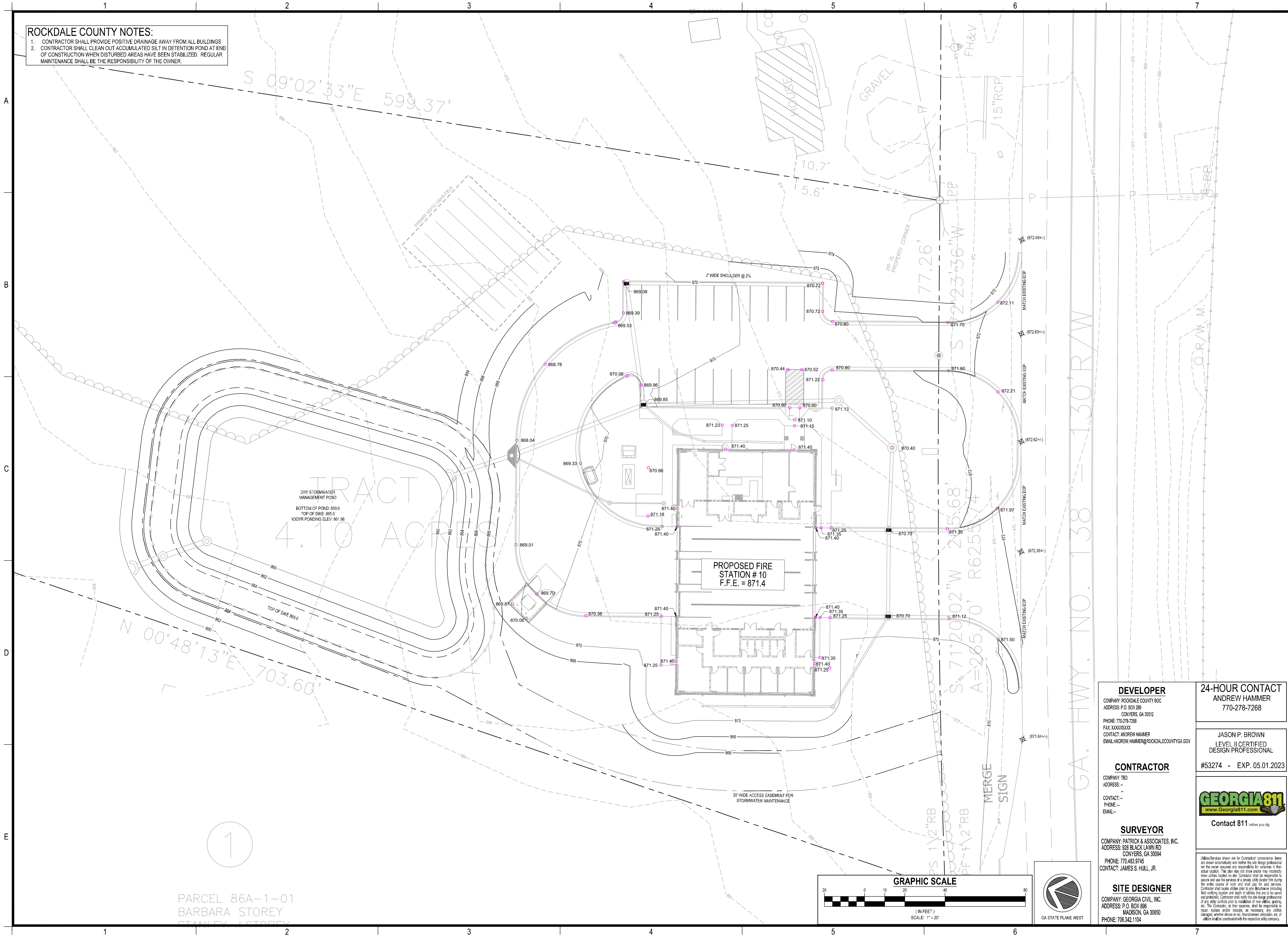
ROCKDALE COUNTY FIRE STATION #10
 3100 NE HIGHWAY 138
 CONYERS, GA 30012
 ZONING: WP-WATERSHED PROTECTION DISTRICT

DRAWING DATE:	07.19.22
DRAWN BY:	MSF
CHECKED BY:	JPB
REVISIONS	
DATE:	DESCRIPTION:

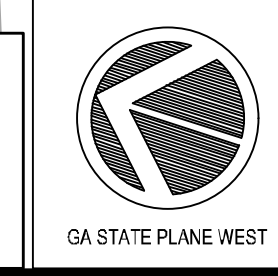
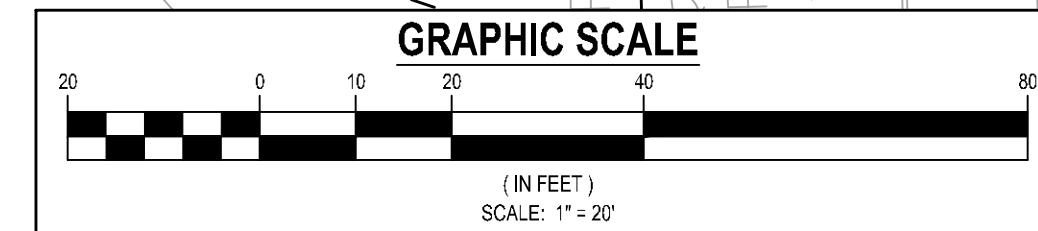


PARCEL 86A-1-01
 BARBARA STOREY
 STANLEY STOREY

ROCKDALE COUNTY NOTES:
 1. CONTRACTOR SHALL PROVIDE POSITIVE DRAINAGE AWAY FROM ALL BUILDINGS
 2. CONTRACTOR SHALL CLEAN OUT ACCUMULATED SILT IN DETENTION POND AT END OF CONSTRUCTION WHEN DISTURBED AREAS HAVE BEEN STABILIZED. REGULAR MAINTENANCE SHALL BE THE RESPONSIBILITY OF THE OWNER.



PARCEL 86A-1-01
 BARBARA STOREY
 STANLEY STOREY



DEVELOPER
 COMPANY: ROCKDALE COUNTY BOC
 ADDRESS: P.O. BOX 286
 CONYERS, GA 30012
 PHONE: 770-278-7288
 FAX: XXXXXXXX
 CONTACT: ANDREW HAMMER
 EMAIL: ANDREW.HAMMER@ROCKDALECOUNTYGA.GOV

CONTRACTOR
 COMPANY: TBO
 ADDRESS: -
 CONTACT: -
 PHONE: -
 EMAIL: -

SURVEYOR
 COMPANY: PATRICK & ASSOCIATES, INC.
 ADDRESS: 928 BLACK LAWN RD
 CONYERS, GA 30094
 PHONE: 770-483-9745
 CONTACT: JAMES S. HULL, JR.

SITE DESIGNER
 COMPANY: GEORGIA CIVIL, INC.
 ADDRESS: P.O. BOX 886
 MADISON, GA 30650
 PHONE: 706.342.1104

24-HOUR CONTACT
 ANDREW HAMMER
 770-278-7268

JASON P. BROWN
 LEVEL II CERTIFIED
 DESIGN PROFESSIONAL
 #53274 - EXP. 05.01.2023

GEORGIA811
 www.Georgia811.com
 Contact 811 before you dig

Unless Services shown are for Contractor's convenience, items are shown for informational purposes only and are not to be used for construction. Contractor shall verify the location and depth of all utilities shown on this plan prior to any excavation. Contractor shall be responsible for any utility conflicts prior to installation of new utilities, grading, etc. The Contractor, at their expense, shall be responsible for reporting, marking, and/or relocating, as necessary, any utilities damaged, whether shown or not. Abandonment, relocation, etc. of utilities shall be coordinated with the respective utility company.

gc
georgia civil
 CIVIL ENGINEERING
 LANDSCAPE ARCHITECTURE
 LAND SURVEYING
 311 N. Main St., Ste. 101, Unit C
 P.O. Box 896 | Madison, GA 30650
 P: 706.342.1104 | F: 706.342.1105
 www.georgiacivil.com
 Professional Seal



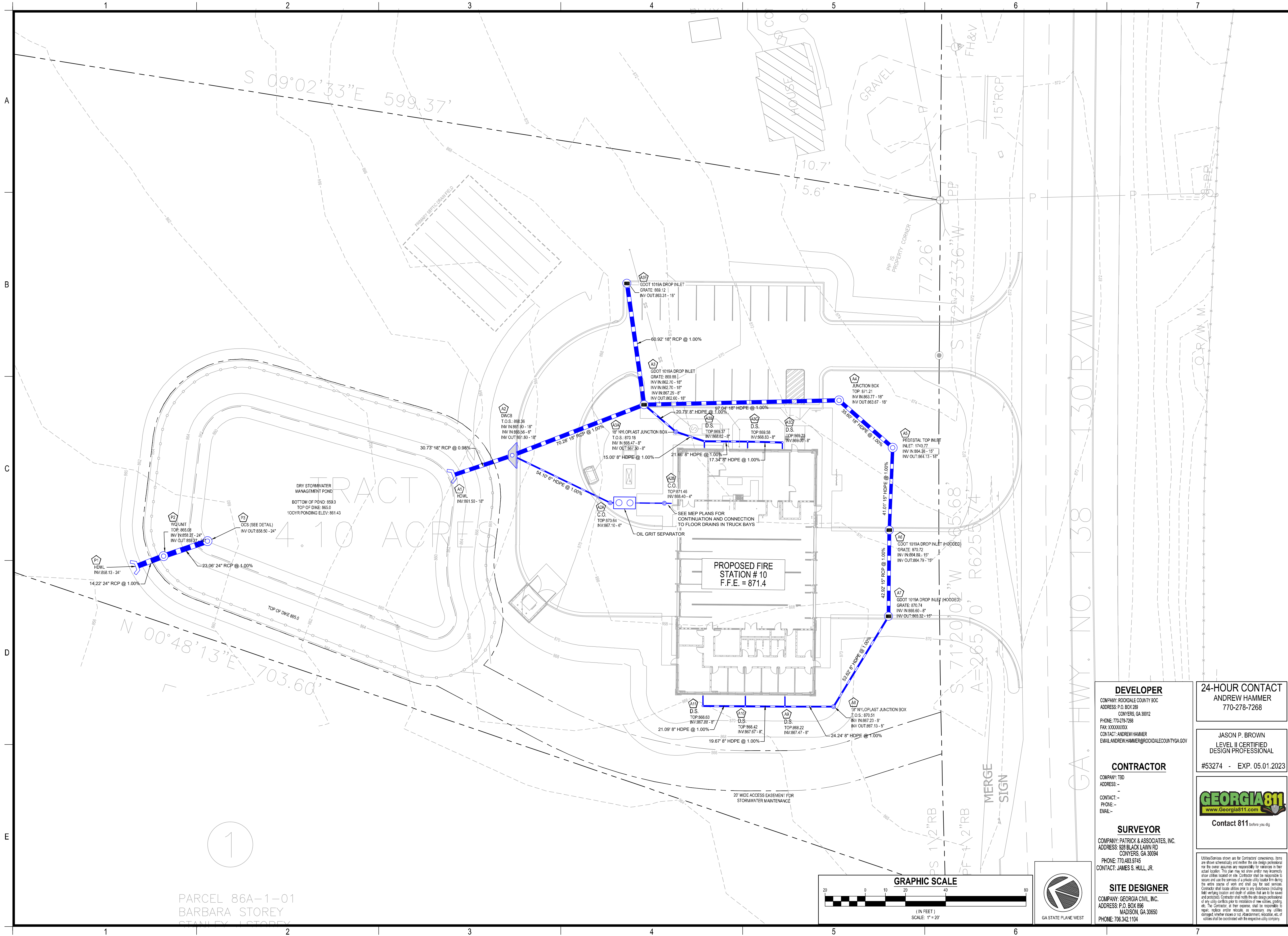
Project Information

ROCKDALE COUNTY FIRE STATION #10
 3100 NE HIGHWAY 138
 CONYERS, GA 30012
 ZONING: WP-WATERSHED PROTECTION DISTRICT

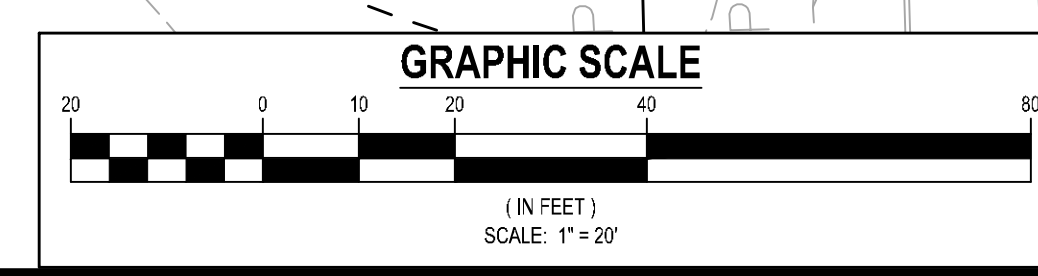
DRAWING DATE:	07.19.22
DRAWN BY:	MSF
CHECKED BY:	JPB
REVISIONS	
DATE:	DESCRIPTION:

© Copyright 2022 georgia civil, inc.
 This document and its reproduction are the property of Georgia Civil, Inc. and may not be reproduced, published, or used in whole or in part without the written consent of Georgia Civil, Inc.

Sheet Title
GRADING PLAN
 Sheet Number
C-3.1



PARCEL 86A-1-01
BARBARA STOREY
STANLEY STOREY



DEVELOPER
COMPANY: ROCKDALE COUNTY SOC
ADDRESS: P.O. BOX 289
CONYERS, GA 30012
PHONE: 770-278-7268
FAX: XXXXXXXX
CONTACT: ANDREW HAMMER
EMAIL: ANDREW.HAMMER@ROCKDALECOUNTYGA.GOV

CONTRACTOR
COMPANY: TBD
ADDRESS: -
CONTACT: -
PHONE: -
EMAIL: -

SURVEYOR
COMPANY: PATRICK & ASSOCIATES, INC.
ADDRESS: 828 BLACK LAWN RD
CONYERS, GA 30094
PHONE: 770-483-9745
CONTACT: JAMES S. HULL, JR.

SITE DESIGNER
COMPANY: GEORGIA CIVIL, INC.
ADDRESS: P.O. BOX 896
MADISON, GA 30650
PHONE: 706.342.1104

24-HOUR CONTACT
ANDREW HAMMER
770-278-7268

JASON P. BROWN
LEVEL II CERTIFIED
DESIGN PROFESSIONAL
#53274 - EXP. 05.01.2023

GEORGIA811
www.Georgia811.com
Contact 811 before you dig

Utilities Services shown are for Contractor's convenience. Items are shown schematically and neither the site design professional nor the owner assumes any responsibility for variations in the actual location. This plan may not show and/or may incorrectly show utilities located on site. Contractor shall be responsible to secure and use the services of a private utility locator firm during the entire scope of work and shall pay for said services. Contractor shall locate utilities prior to any excavation (including field marking location and depth of utilities that are to be saved and protected). Contractor shall notify the site design professional of any utility conflicts prior to installation of new utilities, grading, etc. The Contractor, at their expense, shall be responsible for repair, replace and/or records, as necessary, any utilities damaged whether shown or not. Abandonment, relocation, etc. of utilities shall be coordinated with the respective utility company.



Project Information

ROCKDALE COUNTY FIRE STATION #10
3100 NE HIGHWAY 138
CONYERS, GA 30012
ZONING: WP-WATERSHED PROTECTION DISTRICT

DRAWING DATE:	07.19.22
DRAWN BY:	MSF
CHECKED BY:	JPB
REVISIONS	
DATE:	DESCRIPTION:



georgia civil
CIVIL ENGINEERING
LANDSCAPE ARCHITECTURE
LAND SURVEYING

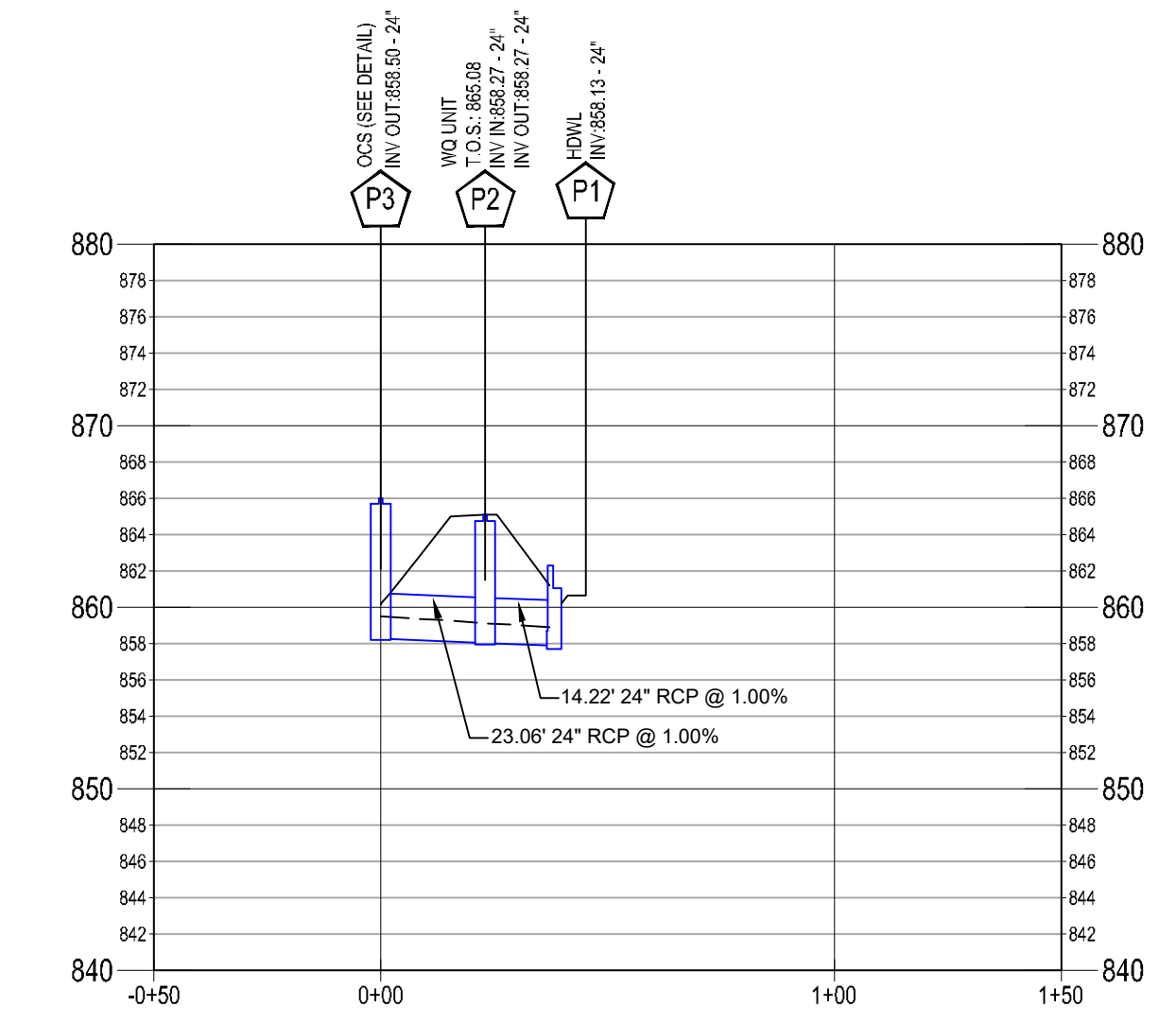
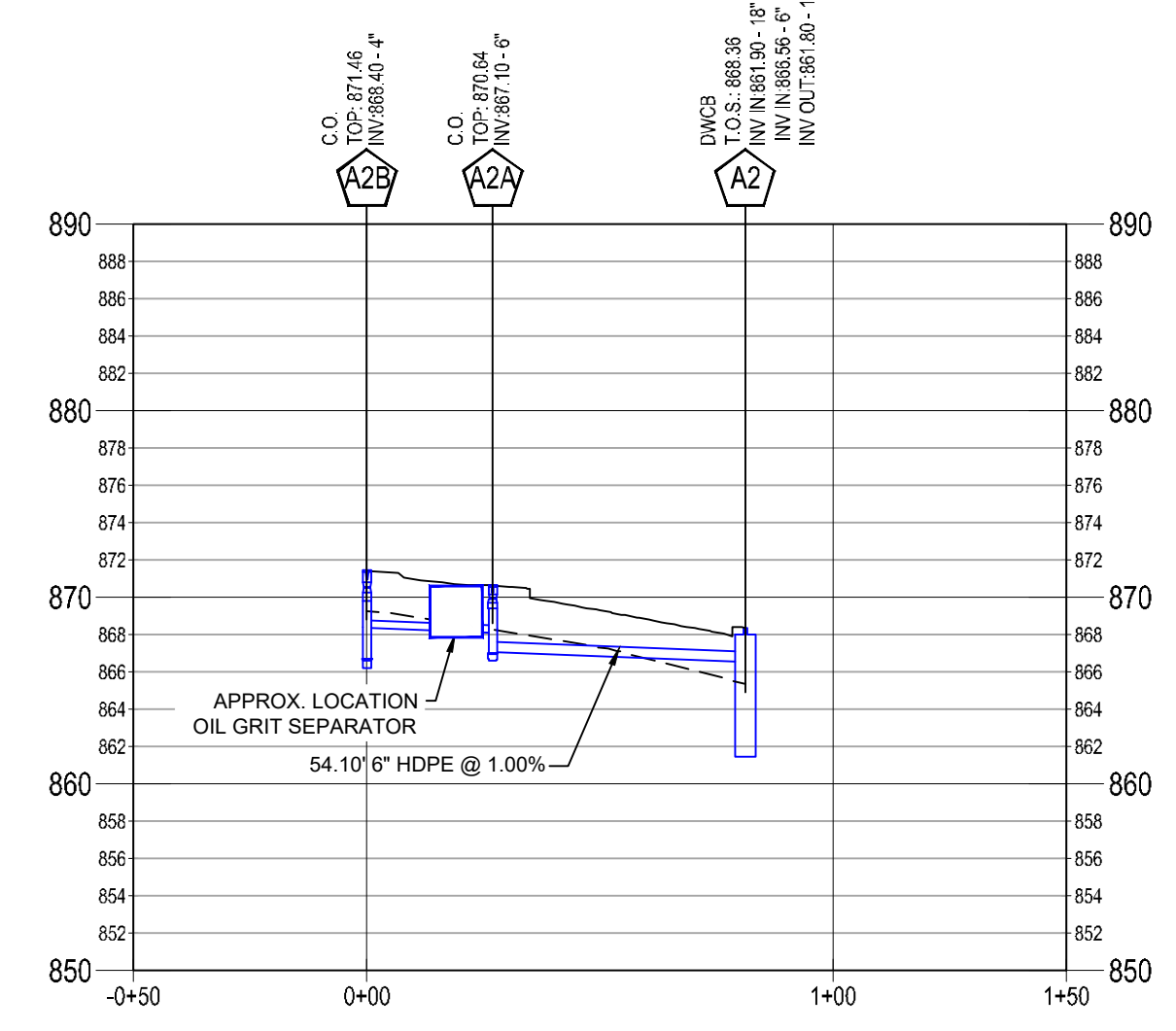
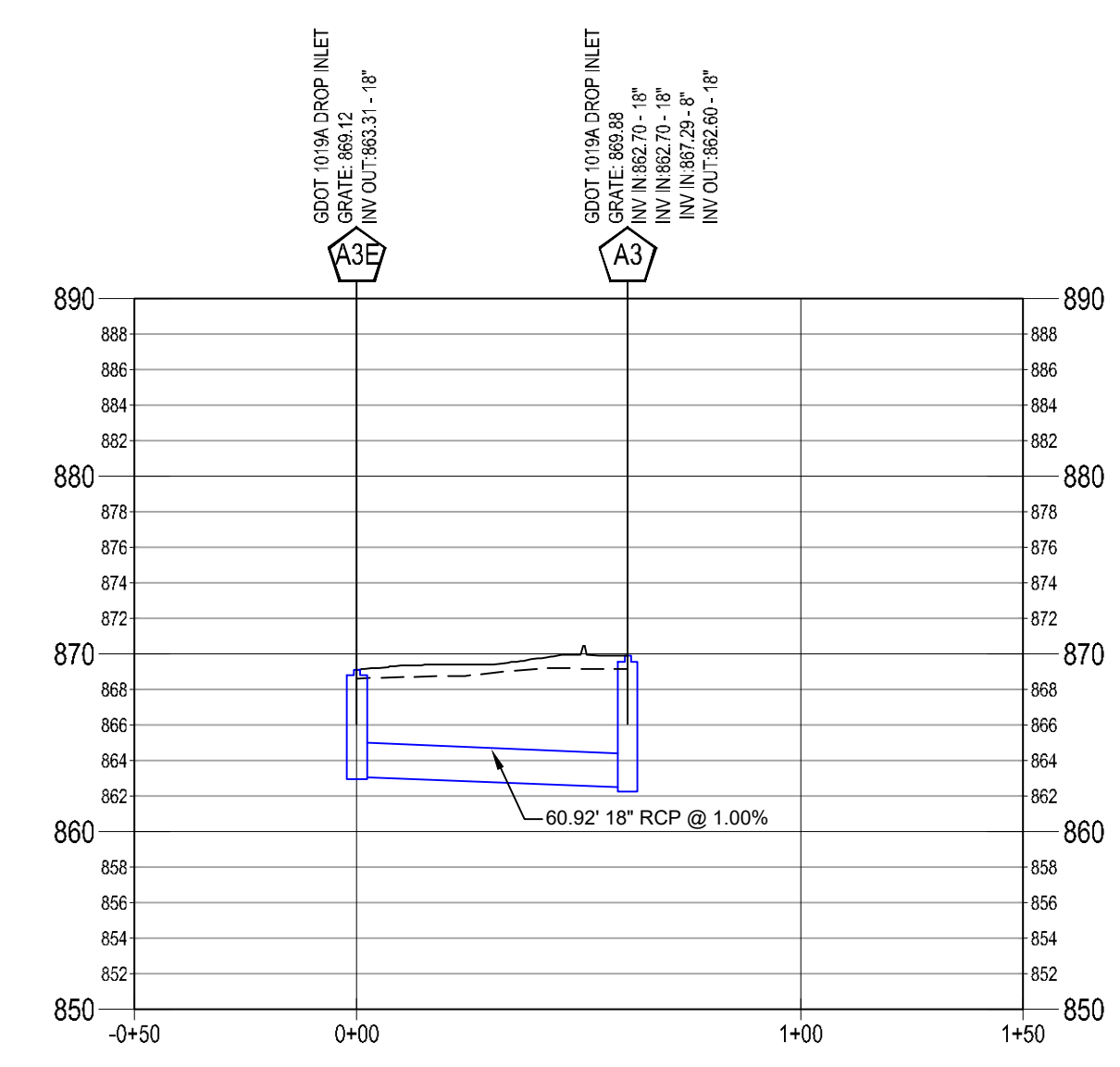
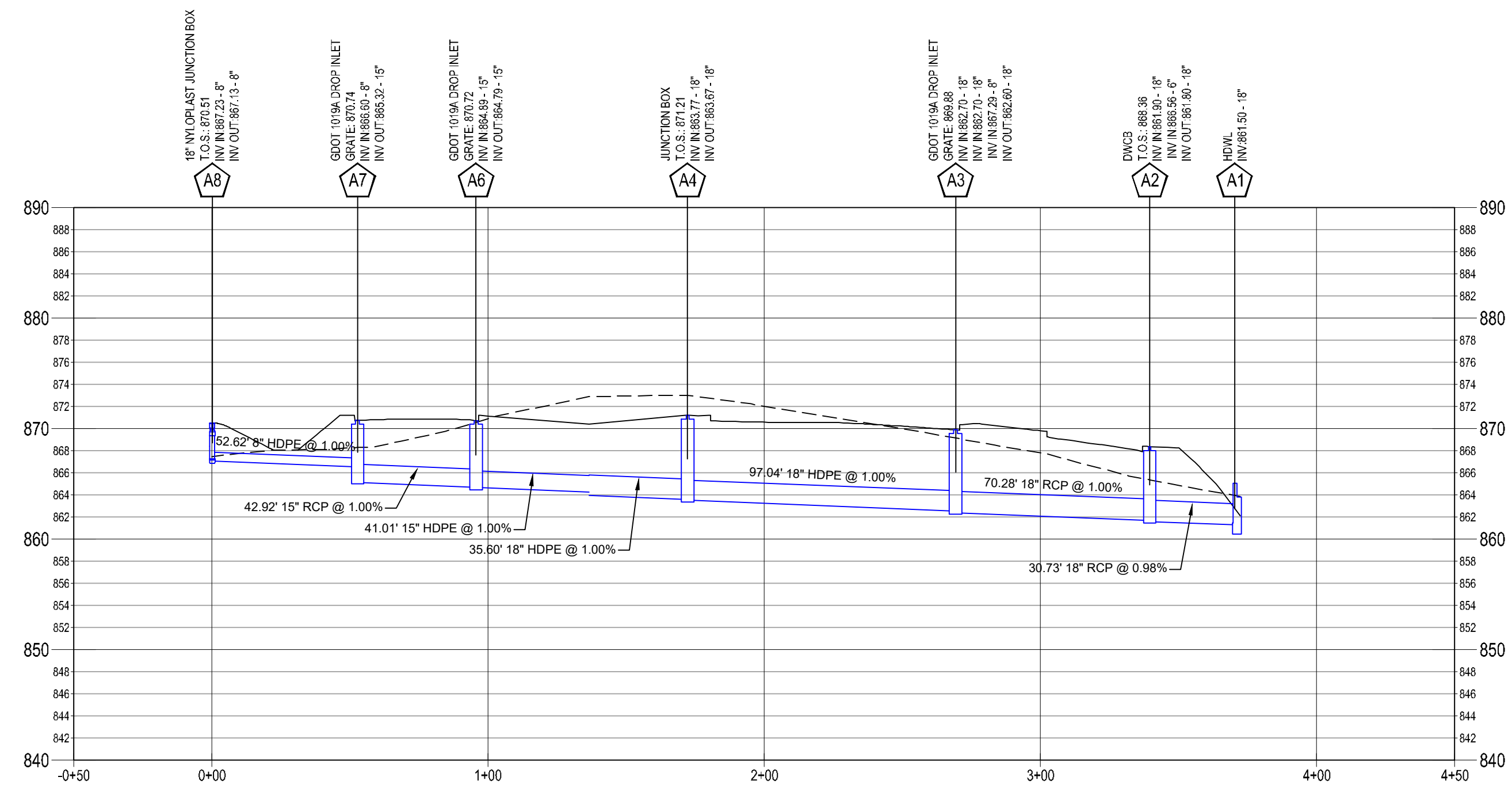
311 N. Main St. Ste. 101, Unit C
P.O. Box 896 | Madison, GA 30650
P: 706.342.1104 | F: 706.342.1105

www.georgiacivil.com



Project Information

ROCKDALE COUNTY FIRE STATION #10
3100 NE HIGHWAY 138
CONYERS, GA 30012
ZONING: WP-WATERSHED PROTECTION DISTRICT



STORM PIPE PROFILES
SCALE: HORIZONTAL: 1"=40'
VERTICAL: 1"=10'

25 YR STORM CHART

Line	ToLine	LineLength (ft)	Incr.Area (ac)	TotalArea (ac)	RunoffCoeff. (C)	IncrC x A	TotalC x A	InletTime (min)	TimeConc (min)	RnfallInt (in/hr)	TotalRunoff (cfs)	AdnlFlow (cfs)	TotalFlow (cfs)	CapacFull (cfs)	Veloc (ft/s)	PipeSize (in)	PipeSlope (%)	Inv ElevDn (ft)	Inv ElevUp (ft)	HGLDn (ft)	HGLUp (ft)	Grnd/RimDn (ft)	Grnd/RimUp (ft)	Line ID
1	Outfall	30.726	0.28	1.12	0.75	0.21	0.83	5	9.3	7.2	6.03	0	6.43	11.24	5.92	18	0.98	861.5	861.8	862.31	862.78	863.71	868.76	A2-A1
2	1	70.279	0.14	0.84	0.88	0.12	0.62	5	8.9	7.4	4.6	0	4.6	11.35	4.45	18	1	861.9	862.6	862.78	863.42	868.76	869.88	A3-A2
3	2	20.786	0	0.09	0	0	0.09	5	5.7	8.8	0.75	0	0.75	1.32	3.62	8	1.01	867.29	867.5	867.65	867.91	869.88	869.27	A3a-A3
4	3	14.999	0.03	0.09	0.95	0.03	0.09	5	5.6	8.9	0.76	0	0.76	1.31	3.62	8	1	868.47	868.62	868.83	869.03	869.27	869.37	A3b-A3a
5	4	21.462	0.03	0.06	0.95	0.03	0.06	5	5.4	9	0.51	0	0.51	1.29	2.59	8	0.98	868.62	868.83	869.03	869.16	869.37	869.58	A3c-A3b
6	5	17.342	0.03	0.03	0.95	0.03	0.03	5	5	9.2	0.26	0	0.26	1.3	1.93	8	0.98	868.83	869	869.16	869.24	869.58	869.75	A3d-A3c
7	1	54.097	0	0	0	0	0	5	5.2	0	0	0.2	0.4	0.21	4.58	4	1	866.56	867.1	866.89	868.93	868.76	870.64	A2a-A2
8	7	26.956	0	0	0	0	0	5	5	0	0	0.2	0.2	0.21	2.29	4	1	868.13	868.4	869.08	869.34	870.64	871.46	A2b-A2a
9	2	97.037	0	0.45	0	0	0.29	5	7.7	7.8	2.27	0	2.27	11.37	3.2	18	1	862.7	863.67	863.42	864.24	869.88	871.21	A4-A3
10	9	35.595	0.17	0.45	0.39	0.07	0.29	5	7.3	8	2.33	0	2.33	11.44	4.32	18	1.01	863.77	864.13	864.24	864.71	871.21	1740.77	A5-A4
11	10	41.014	0.07	0.28	0.95	0.07	0.22	5	6.9	8.2	1.84	0	1.84	6.99	4.22	15	1	864.38	864.79	864.82	865.33	1740.77	870.72	A6-A5
12	11	42.917	0.12	0.21	0.6	0.07	0.16	5	6.3	8.5	1.34	0	1.34	7	3.39	15	1	864.89	865.32	865.33	865.78	870.72	870.74	A7-A6
13	12	52.622	0	0.09	0	0	0.09	5	5.9	8.7	0.75	0	0.75	1.31	3.61	8	1.01	866.6	867.13	866.96	867.54	870.74	870.51	A8-A7
14	13	24.235	0.03	0.09	0.95	0.03	0.09	5	5.7	8.8	0.75	0	0.75	1.3	3.61	8	0.99	867.23	867.47	867.59	867.88	870.51	868.22	A9-A8
15	14	19.674	0.03	0.06	0.95	0.03	0.06	5	5.5	8.9	0.51	0	0.51	1.32	2.59	8	1.02	867.47	867.67	867.88	868	868.22	868.42	A10-A9
16	15	21.09	0.03	0.03	0.95	0.03	0.03	5	5	9.2	0.26	0	0.26	1.31	1.93	8	1	867.67	867.88	868	868.12	868.42	868.63	A11-A10
17	2	60.916	0.16	0.16	0.77	0.12	0.12	5	5	9.2	1.13	0	1.13	11.38	2.18	18	1	862.7	863.31	863.42	863.71	869.88	869.12	A3e-A3
18	Outfall	14.221	0	0	0	0	0	5	7	0	0	0	0.6	24.31	2.84	24	0.98	858.13	858.27	858.35	858.54	862.29	865.08	P2-P1
19	18	23.062	0	0	0	0	0	5	5	0	0	0.6	0.6	24.47	2.42	24	1	858.27	858.5	858.54	858.77	865.08	866	P3-P2

LEGEND

--- EXISTING GRADE

— PROPOSED GRADE

DEVELOPER
COMPANY: ROCKDALE COUNTY SOC
ADDRESS: P.O. BOX 289
CONYERS, GA 30012
PHONE: 770-278-7268
FAX: XXXXXXXX

24-HOUR CONTACT
ANDREW HAMMER
770-278-7268

CONTRACTOR
COMPANY: TSD
ADDRESS: --
CONTACT: --
PHONE: --
EMAIL: --

JASON P. BROWN
LEVEL II CERTIFIED DESIGN PROFESSIONAL
#53274 - EXP. 05.01.2023

SURVEYOR
COMPANY: PATRICK & ASSOCIATES, INC.
ADDRESS: 328 BLACK LAWN RD
CONYERS, GA 30094
PHONE: 770-483-9745
CONTACT: JAMES S. HULL, JR.



SITE DESIGNER
COMPANY: GEORGIA CIVIL, INC.
ADDRESS: P.O. BOX 896
MADISON, GA 30650
PHONE: 706.342.1104

Contact 811 before you dig

DRAWING DATE: 07.19.22
DRAWN BY: MSF
CHECKED BY: JPB

REVISIONS

DATE:	DESCRIPTION:

© Copyright 2022 georgia civil, inc.
This document and its reproduction are the property of Georgia Civil, Inc. and may not be reproduced, published, or used in whole or in part without the written consent of Georgia Civil, Inc.

STORMWATER MANAGEMENT SYSTEM PROFILES

Sheet Number
C-4.2

1

TYPE "A" LONGITUDINAL SECTION
TYPE "A" CROSS SECTION
TYPE "B" LONGITUDINAL SECTION
TYPE "B" CROSS SECTION
TYPE "C" LONGITUDINAL SECTION
TYPE "C" CROSS SECTION
TYPE "D" LONGITUDINAL SECTION
TYPE "D" CROSS SECTION
TYPE "E" LONGITUDINAL SECTION
TYPE "E" CROSS SECTION

DETAILS OF C.I. GRATING & FRAME
DETAIL OF HOOD
TABLE OF MINIMUM DIMENSIONS FOR DROP INLETS

DEPARTMENT OF TRANSPORTATION
STATE OF GEORGIA
STANDARD DROP INLETS
(BUILT-IN-PLACE)

2

FRONT ELEVATION
SECTION A-A
SECTION B-B
SECTION C-C

STRAIGHT WALL
U TYPE WING
45° WINGS

DEPARTMENT OF TRANSPORTATION
STATE OF GEORGIA
STANDARD PIPE CULVERT CONCRETE HEADWALL

3

FRONT ELEVATION
SECTION A-A
SECTION B-B
SECTION C-C

STRAIGHT WALL
U TYPE WING
45° WINGS

DEPARTMENT OF TRANSPORTATION
STATE OF GEORGIA
STANDARD PIPE CULVERT CONCRETE HEADWALL

4

MANHOLE CASTINGS (L & R)
SECTION A-A
SECTION B-B
SECTION C-C

PIPE PLACEMENT DETAIL
MANHOLE CASTINGS (L & R)

DEPARTMENT OF TRANSPORTATION
STATE OF GEORGIA
STANDARD PRECAST REINFORCED CONCRETE MANHOLE

5

FRONT ELEVATION
SECTION A-A
SECTION B-B
SECTION C-C

STRAIGHT WALL
U TYPE WING
45° WINGS

DEPARTMENT OF TRANSPORTATION
STATE OF GEORGIA
STANDARD PIPE CULVERT CONCRETE HEADWALL

6

FRONT ELEVATION
SECTION A-A
SECTION B-B
SECTION C-C

STRAIGHT WALL
U TYPE WING
45° WINGS

DEPARTMENT OF TRANSPORTATION
STATE OF GEORGIA
STANDARD PIPE CULVERT CONCRETE HEADWALL

7

georgia civil
CIVIL ENGINEERING
LANDSCAPE ARCHITECTURE
LAND SURVEYING

3111 N. Main St. Ste. 101, Unit C
P.O. Box 896 | Madison, GA 30650
P: 706.342.1104 | F: 706.342.1105
www.georgiacivil.com

PROFESSIONAL ENGINEER
JASON P. BROWN
STATE OF GEORGIA
LICENSE NO. PE00000000

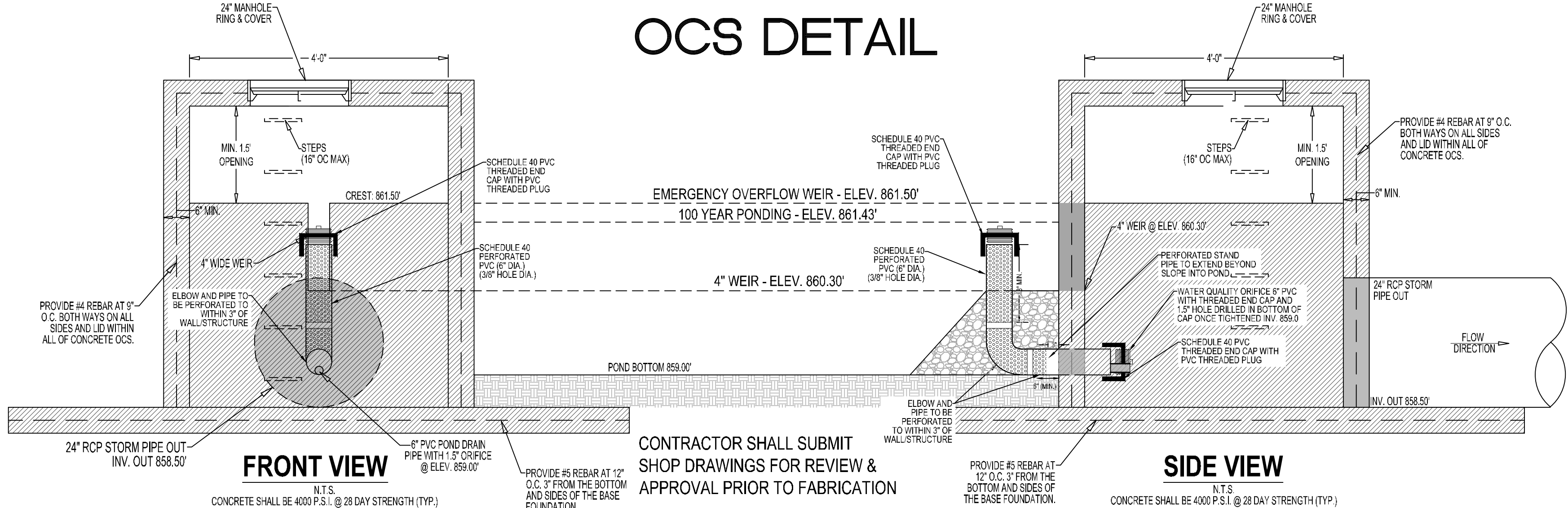
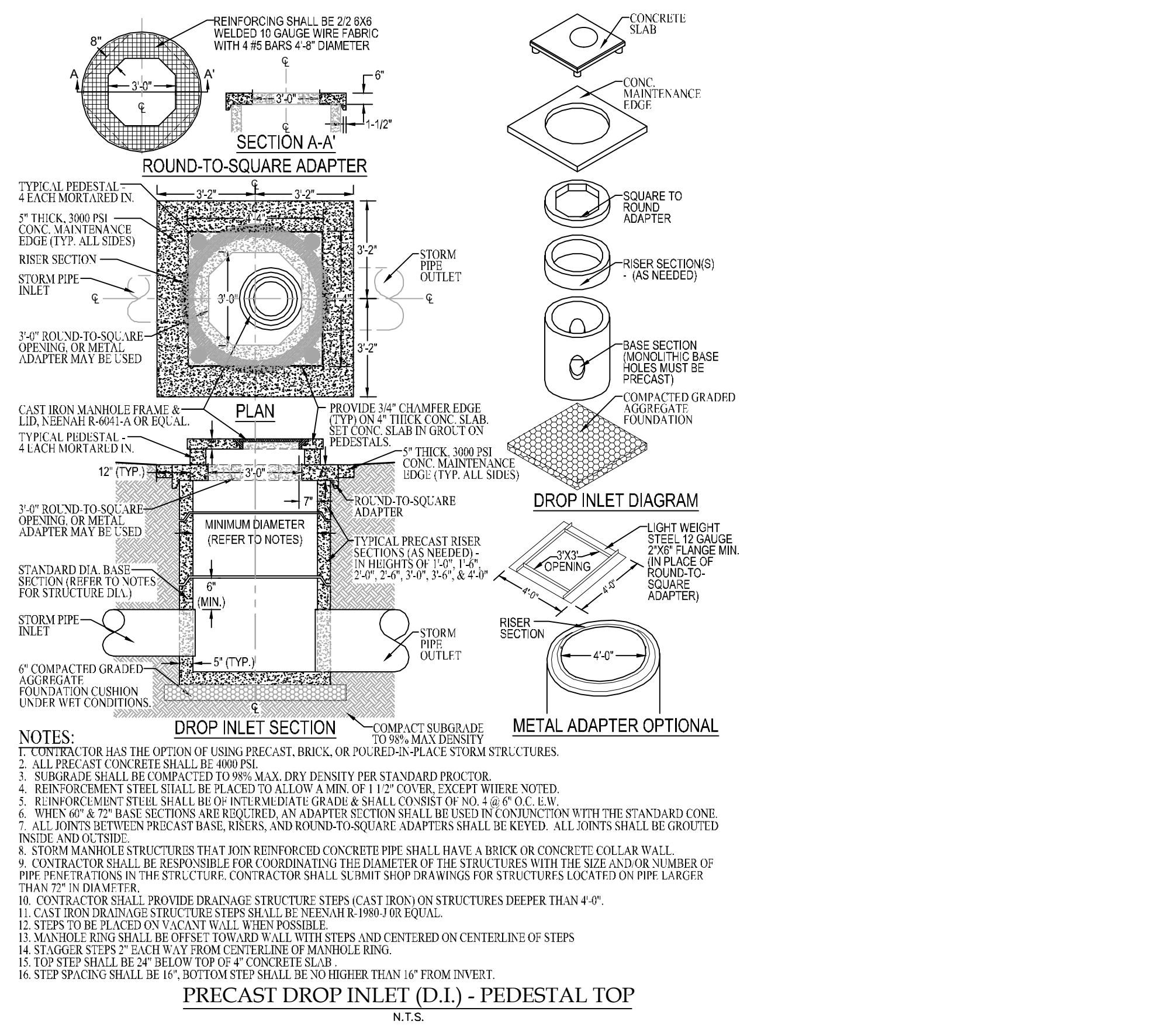
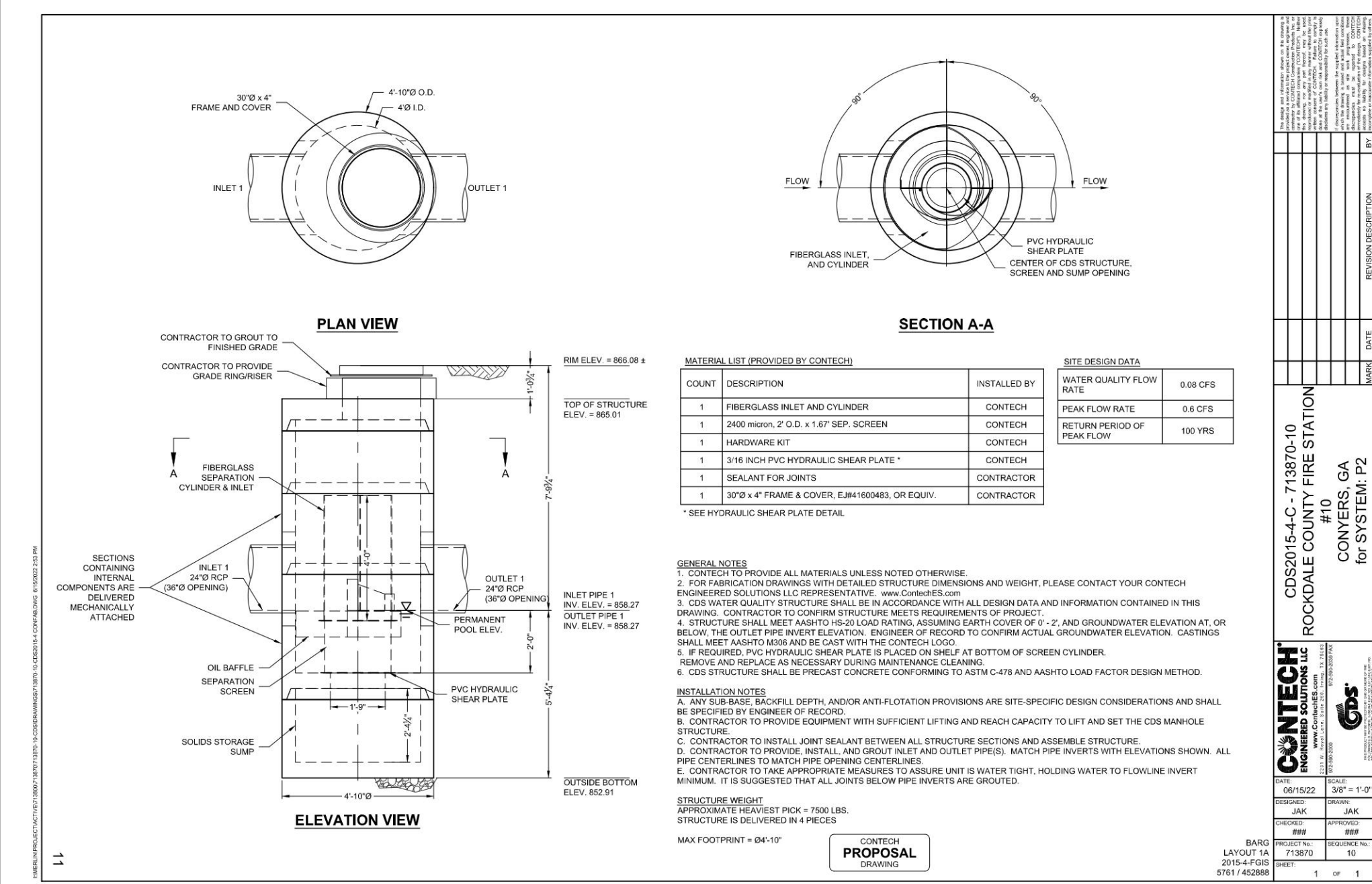
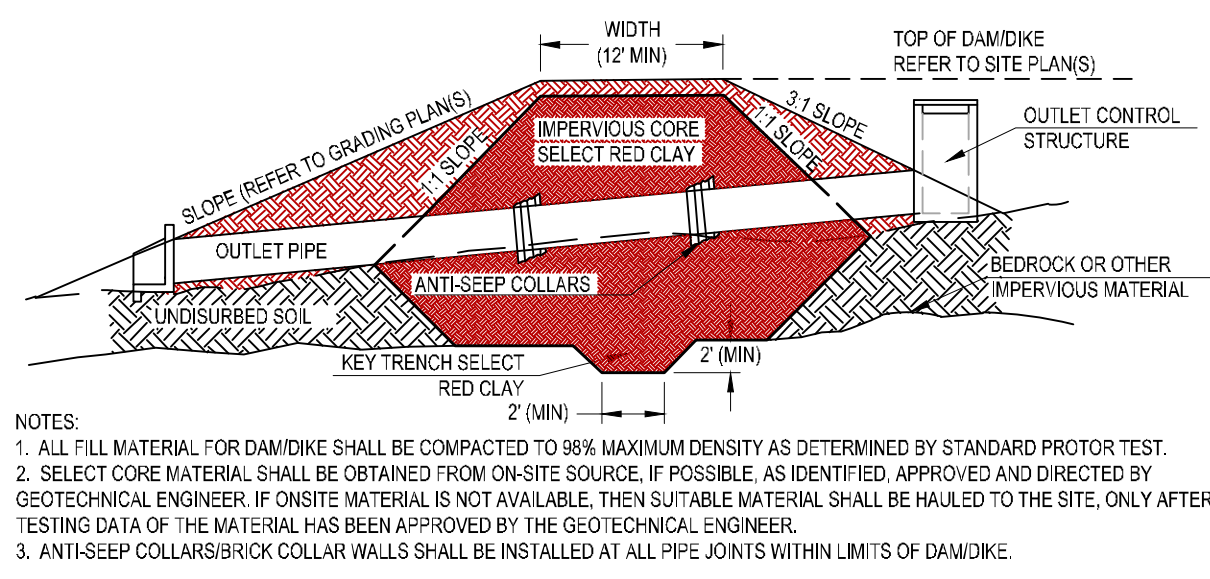
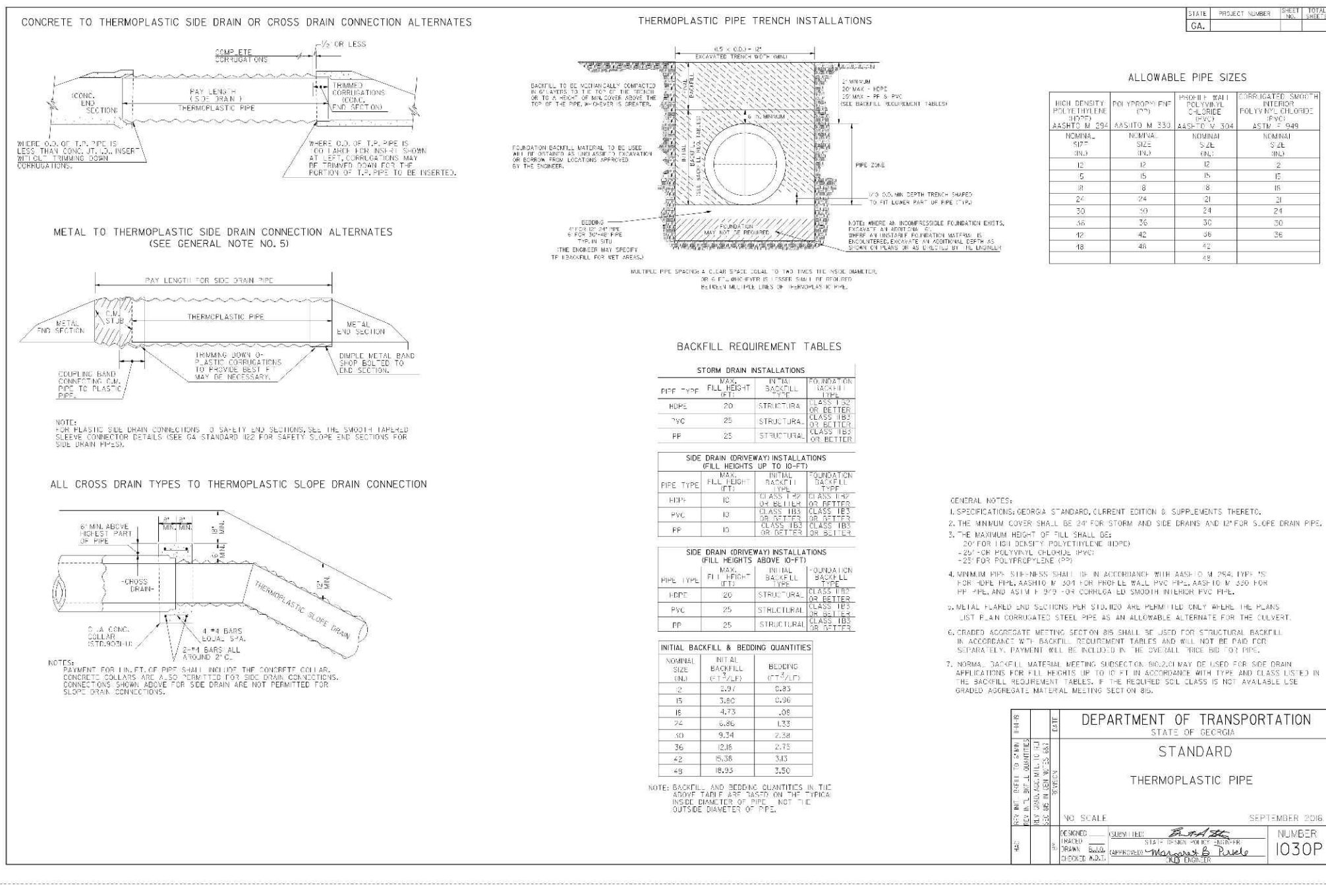
Project Information

ROCKDALE COUNTY FIRE STATION #10
3100 NE HIGHWAY 138
CONYERS, GA 30012
ZONING: WP-WATERSHED PROTECTION DISTRICT

DRAWING DATE: 07.19.22
DRAWN BY: MSF
CHECKED BY: JPB
REVISIONS
DATE: DESCRIPTION:

NOTE
ALL DETAILS SHOWN ON THIS PAGE ARE STANDARD DETAILS USED BY GEORGIA CIVIL FOR STORM PIPES. REFER TO THE STORMWATER MANAGEMENT PLAN FOR THE PIPE(S) TYPES TO BE USED THROUGHOUT THE SITE. THE PLACEMENT OF THESE DETAILS ON THE PLAN DOES NOT CONSTITUTE AN APPROVED ALTERNATE FOR PIPE MATERIALS. OWNER/CONTRACTOR SHALL COORDINATE WITH THE DESIGN PROFESSIONAL PRIOR TO ANY MATERIAL SUBSTITUTIONS. REFER TO SIZING CHART ON THIS PAGE FOR CLASS OF RCP AND GAUGE OF AST

STORMWATER MANAGEMENT DETAILS



CIRCULAR OUTLET CONTROL STRUCTURE

PRECAST OUTLET CONTROL STRUCTURE BOX SHALL EXTEND A MINIMUM OF 6" LOWER THAN THE LOWEST INVERT. PRECAST STRUCTURE SHALL BE OPEN IN THE BOTTOM WHEN DELIVERED TO SITE, AND SHALL BE SET INTO CONCRETE WHEN BASE FOUNDATION IS POURED IN PLACE. SIX INCHES BELOW THE LOWEST INVERT, #5 REBAR SHALL EXTEND THROUGH DRILLED HOLES, ONE FOOT ON CENTER, ON ALL FOUR SIDES. CONTINUOUS SECTIONS OF #5 REBAR SHALL EXTEND THROUGH THE HOLES FORM ONE SIDE OF THE BOX, ACROSS THE INSIDE OF THE BOX, AND THROUGH THE MATCHING HOLE ON THE OTHER SIDE OF THE BOX. THE REBAR SHALL EXTEND A MINIMUM OF 10" BEYOND EACH OUTSIDE FACE OF THE BOX AND BE WIRED TO THE REBAR SET IN THE CONCRETE BASE FOUNDATION. CONCRETE SHALL BE POURED AND FINISHED UP TO THE ELEVATION OF THE LOWEST INVERT ON THE INSIDE AND OUTSIDE OF THE OUTLET CONTROL STRUCTURE BOX.

georgia civil
CIVIL ENGINEERING
LANDSCAPE ARCHITECTURE
LAND SURVEYING

311 N. Main St. Ste. 101, Unit C
P.O. Box 896 | Madison, GA 30650
P: 706.342.1104 | F: 706.342.1105
www.georgiacivil.com

Professional Seal

GEORGIA
REGISTERED
PROFESSIONAL
ENGINEER
LASON P. BROWN

Project Information

ROCKDALE COUNTY FIRE STATION #10
3100 NE HIGHWAY 138
CONYERS, GA 30012
ZONING: WP-WATERSHED PROTECTION DISTRICT

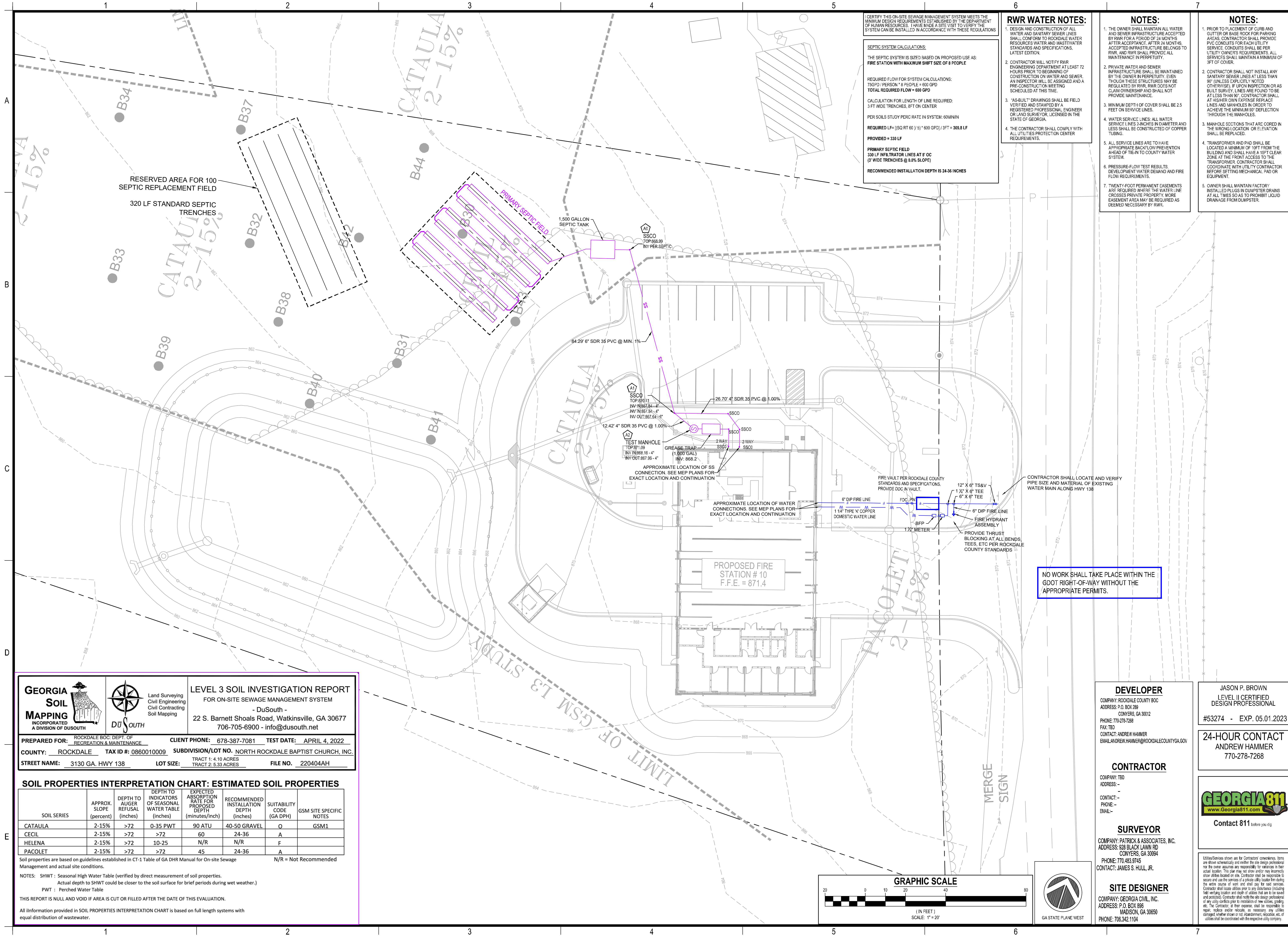
DRAWING DATE:	07.19.22
DRAWN BY:	MSF
CHECKED BY:	JPB
DATE:	DESCRIPTION:

© Copyright 2022 georgia civil, inc.
This document and its reproduction are the property of Georgia Civil, Inc. and may not be reproduced, published, or used in whole or in part without the written consent of Georgia Civil, Inc.

Sheet Title

STORMWATER MANAGEMENT DETAILS

Sheet Number
C-4.5



CERTIFY THIS ON-SITE SEWAGE MANAGEMENT SYSTEM MEETS THE MINIMUM DESIGN REQUIREMENTS ESTABLISHED BY THE DEPARTMENT OF HUMAN RESOURCES. I HAVE MADE A SITE VISIT TO VERIFY THE SYSTEM CAN BE INSTALLED IN ACCORDANCE WITH THESE REGULATIONS.

SEPTIC SYSTEM CALCULATIONS:
 THE SEPTIC SYSTEM IS SIZED BASED ON PROPOSED USE AS:
FIRE STATION WITH MAXIMUM SHFT SIZE OF 8 PEOPLE

REQUIRED FLOW FOR SYSTEM CALCULATIONS:
 75GPD / PERSON * 8 PEOPLE = 600 GPD
TOTAL REQUIRED FLOW = 600 GPD

CALCULATION FOR LENGTH OF LINE REQUIRED:
 3 FT WIDE TRENCHES, 1FT ON CENTER

PER SOILS STUDY PERC RATE IN SYSTEM: 60MININ

REQUIRED LF = (50 RT 60 / 5) * 600 GPD / 3FT = 300.8 LF

PROVIDED = 330 LF

PRIMARY SEPTIC FIELD
 330 LF INFILTRATOR LINES AT 8" OC
 (3" WIDE TRENCHES @ 0.0% SLOPE)

RECOMMENDED INSTALLATION DEPTH IS 24-36 INCHES

RWR WATER NOTES:

- DESIGN AND CONSTRUCTION OF ALL WATER AND SANITARY SEWER LINES SHALL CONFORM TO ROCKDALE WATER RESOURCES WATER AND WASTEWATER STANDARDS AND SPECIFICATIONS, LATEST EDITION.
- CONTRACTOR WILL NOTIFY RWR ENGINEERING DEPARTMENT AT LEAST 72 HOURS PRIOR TO BEGINNING OF CONSTRUCTION ON WATER AND SEWER. AN INSPECTOR WILL BE ASSIGNED AND A PRE-CONSTRUCTION MEETING SCHEDULED AT THIS TIME.
- "AS-BUILT" DRAWINGS SHALL BE FIELD VERIFIED AND STAMPED BY A REGISTERED PROFESSIONAL ENGINEER OR LAND SURVEYOR, LICENSED IN THE STATE OF GEORGIA.
- THE CONTRACTOR SHALL COMPLY WITH ALL UTILITIES PROTECTION CENTER REQUIREMENTS.

NOTES:

- THE OWNER SHALL MAINTAIN ALL WATER AND SEWER INFRASTRUCTURE ACCEPTED BY RWR FOR A PERIOD OF 24 MONTHS AFTER ACCEPTANCE. AFTER 24 MONTHS, ACCEPTED INFRASTRUCTURE BELONGS TO RWR, AND RWR SHALL PROVIDE ALL MAINTENANCE IN PERPETUITY.
- PRIVATE WATER AND SEWER INFRASTRUCTURE SHALL BE MAINTAINED BY THE OWNER IN PERPETUITY. EVEN THOUGH THESE STRUCTURES MAY BE REGULATED BY RWR, RWR DOES NOT CLAIM OWNERSHIP AND SHALL NOT PROVIDE MAINTENANCE.
- MINIMUM DEPTH OF COVER SHALL BE 2.5 FEET ON SERVICE LINES.
- WATER SERVICE LINES: ALL WATER SERVICE LINES 2-INCHES IN DIAMETER AND LESS SHALL BE CONSTRUCTED OF COPPER TUBING.
- ALL SERVICE LINES ARE TO HAVE APPROPRIATE BACKFLOW PREVENTION AHEAD OF TIE-IN TO COUNTY WATER SYSTEM.
- PRESSURE-FLOW TEST RESULTS DEVELOPMENT WATER DEMAND AND FIRE FLOW REQUIREMENTS.
- TWENTY-FOOT PERMANENT EASEMENTS ARE REQUIRED WHERE THE WATER LINE CROSSES PRIVATE PROPERTY. MORE EASEMENT AREA MAY BE REQUIRED AS DEEMED NECESSARY BY RWR.

NOTES:

- PRIOR TO PLACEMENT OF CURB AND GUTTER OR BASE ROCK FOR PARKING AREAS, CONTRACTOR SHALL PROVIDE PVC CONDUITS FOR EACH UTILITY SERVICE. CONDUITS SHALL BE PER UTILITY OWNERS REQUIREMENTS. ALL SERVICES SHALL MAINTAIN A MINIMUM OF 3FT OF COVER.
- CONTRACTOR SHALL NOT INSTALL ANY SANITARY SEWER LINES AT LESS THAN 90" UNLESS EXPLICITLY NOTED OTHERWISE. IF UPON INSPECTION OR AS BUILT SURVEY LINES ARE FOUND TO BE AT LESS THAN 90", CONTRACTOR SHALL AT HIS/HER OWN EXPENSE REPLACE LINES AND MANHOLES IN ORDER TO ACHIEVE THE MINIMUM 90" DEFLECTION THROUGH THE MANHOLES.
- MANHOLE SECTIONS THAT ARE CORED IN THE WRONG LOCATION OR ELEVATION SHALL BE REPLACED.
- TRANSFORMER AND PAD SHALL BE LOCATED A MINIMUM OF 10FT FROM THE BUILDING AND SHALL HAVE A 10FT CLEAR ZONE AT THE FRONT ACCESS TO THE TRANSFORMER. CONTRACTOR SHALL COORDINATE WITH UTILITY CONTRACTOR BEFORE SETTING MECHANICAL PAD OR EQUIPMENT.
- OWNER SHALL MAINTAIN FACTORY INSTALLED PLUGS IN DUMPSTER DRAINS AT ALL TIMES SO AS TO PROHIBIT LIQUID DRAINAGE FROM DUMPSTER.

GEORGIA SOIL MAPPING
INCORPORATED
A DIVISION OF DUSOUTH

Land Surveying
Civil Engineering
Civil Contracting
Soil Mapping

LEVEL 3 SOIL INVESTIGATION REPORT
FOR ON-SITE SEWAGE MANAGEMENT SYSTEM
- DuSouth -
22 S. Barnett Shoals Road, Watkinsville, GA 30677
706-705-6900 - info@dusouth.net

PREPARED FOR: ROCKDALE CO. DEPT. OF RECREATION & MAINTENANCE CLIENT PHONE: 678-387-7081 TEST DATE: APRIL 4, 2022

COUNTY: ROCKDALE TAX ID #: 0860010009 SUBDIVISION/LOT NO. NORTH ROCKDALE BAPTIST CHURCH, INC.

STREET NAME: 3130 GA. HWY 138 LOT SIZE: TRACT 1: 4.10 ACRES FILE NO. 220404AH

SOIL PROPERTIES INTERPRETATION CHART: ESTIMATED SOIL PROPERTIES

SOIL SERIES	APPROX. SLOPE (percent)	DEPTH TO AUGER REFUSAL (inches)	DEPTH TO INDICATORS OF SEASONAL WATER TABLE (inches)	EXPECTED ABSORPTION RATE FOR PROPOSED DEPTH (minutes/inch)	RECOMMENDED INSTALLATION DEPTH (inches)	SUITABILITY CODE (GA DPH)	GSM SITE SPECIFIC NOTES
CATAULA	2-15%	>72	0-35 PWT	90 ATU	40-50 GRAVEL	O	GSM1
CECIL	2-15%	>72	>72	60	24-36	A	
HELENA	2-15%	>72	10-25	N/R	N/R	F	
PACOLET	2-15%	>72	>72	45	24-36	A	

Soil properties are based on guidelines established in CT-1 Table of GA DHR Manual for On-site Sewage Management and actual site conditions. N/R = Not Recommended

NOTES: SHWT : Seasonal High Water Table (verified by direct measurement of soil properties.
 Actual depth to SHWT could be closer to surface for brief periods during wet weather.)
 PWT : Perched Water Table

THIS REPORT IS NULL AND VOID IF AREA IS CUT OR FILLED AFTER THE DATE OF THIS EVALUATION.
 All information provided in SOIL PROPERTIES INTERPRETATION CHART is based on full length systems with equal distribution of wastewater.

georgia civil
 CIVIL ENGINEERING
 LANDSCAPE ARCHITECTURE
 LAND SURVEYING

311 N. Main St. Ste. 101, Unit C
 P.O. Box 896 | Madison, GA 30650
 P: 706.342.1104 | F: 706.342.1105
 www.georgiacivil.com

Professional Seal

Project Information

ROCKDALE COUNTY FIRE STATION #10
 3100 NE HIGHWAY 138
 CONYERS, GA 30012
 ZONING: WP-WATERSHED PROTECTION DISTRICT

NO WORK SHALL TAKE PLACE WITHIN THE GDOT RIGHT-OF-WAY WITHOUT THE APPROPRIATE PERMITS.

DEVELOPER
 COMPANY: ROCKDALE COUNTY SOC
 ADDRESS: P.O. BOX 289
 CONYERS, GA 30012
 PHONE: 770-278-7288
 FAX: TBD
 CONTACT: ANDREW HAMMER
 EMAIL: ANDREW.HAMMER@ROCKDALECOUNTYGA.GOV

CONTRACTOR
 COMPANY: TBD
 ADDRESS: -
 CONTACT: -
 PHONE: -
 EMAIL: -

SURVEYOR
 COMPANY: PATRICK & ASSOCIATES, INC.
 ADDRESS: 828 BLACK LAWN RD
 CONYERS, GA 30094
 PHONE: 770-493-9745
 CONTACT: JAMES S. HULL, JR.

SITE DESIGNER
 COMPANY: GEORGIA CIVIL, INC.
 ADDRESS: P.O. BOX 896
 MADISON, GA 30650
 PHONE: 706.342.1104

JASON P. BROWN
 LEVEL II CERTIFIED
 DESIGN PROFESSIONAL

#53274 - EXP. 05.01.2023

24-HOUR CONTACT
 ANDREW HAMMER
 770-278-7288

GEORGIA811
 www.Georgia811.com

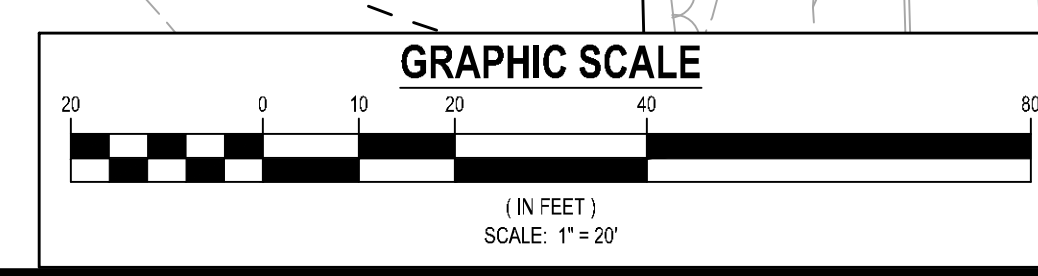
Contact 811 before you dig

Utilities/Services shown are for Contractors' convenience. Items are shown schematically and neither the site design professional nor the contractor are responsible for variations in their actual location. This plan may not show and/or may incorrectly show utilities located on site. Contractors shall be responsible to secure and use the services of a private utility locator firm during the entire course of work and shall pay for said services. Contractors shall locate utilities prior to any excavation (including field marking location and depth of utilities that are to be saved and protected). Contractor shall verify the site design professional of any utility conflicts prior to installation of new utilities, grading, etc. The Contractor at their expense, shall be responsible to repair, replace and/or relocate, as necessary, any utilities damaged, whether shown or not. Agreement, relocation, etc. of utilities shall be coordinated with the respective utility company.

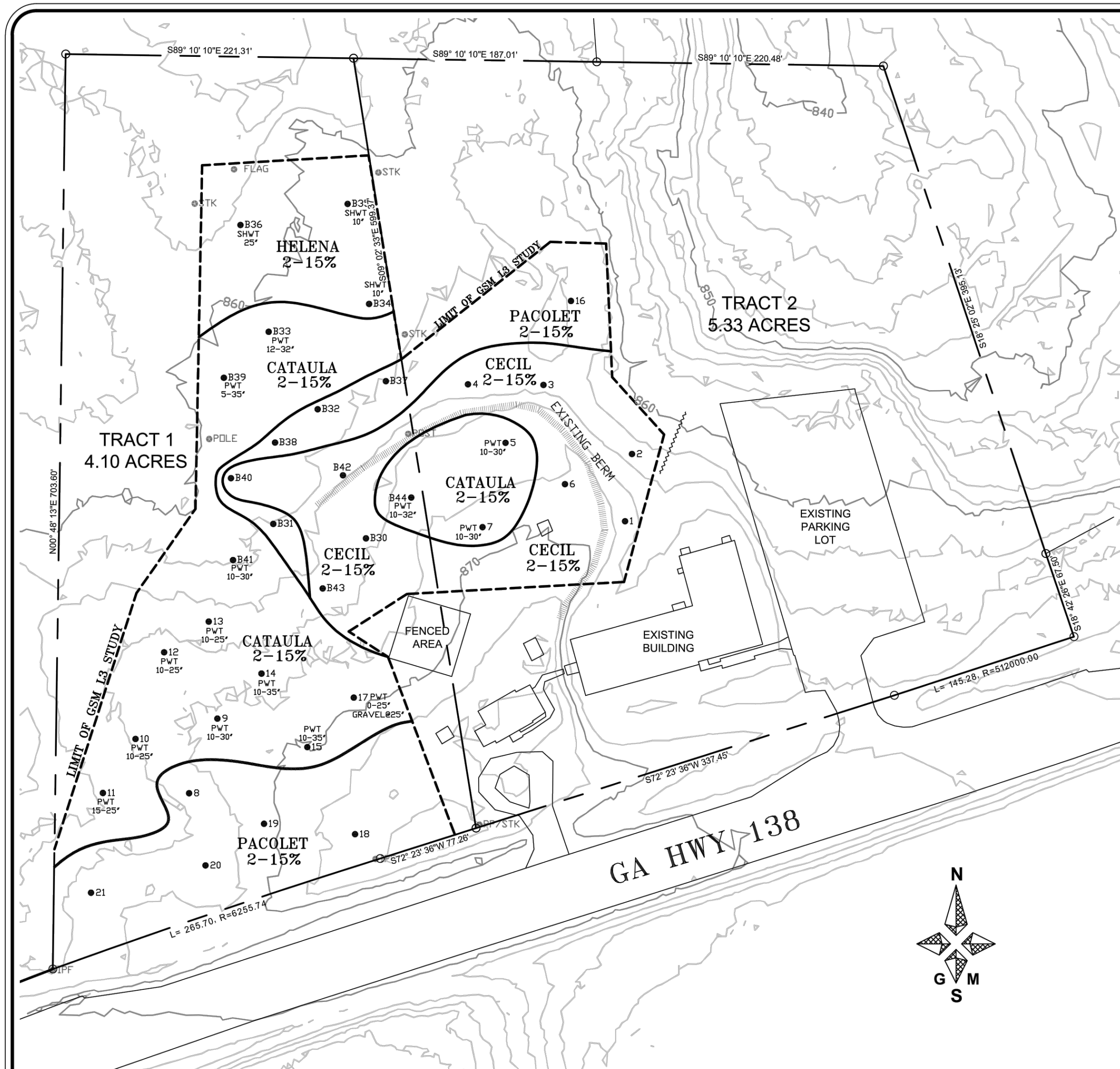
DRAWING DATE:	07.19.22
DRAWN BY:	MSF
CHECKED BY:	JPB
REVISIONS	
DATE:	DESCRIPTION:

© Copyright 2022 georgia civil, inc.
 This document and its reproduction are the property of Georgia Civil, Inc. and may not be reproduced, published, or used in whole or in part without the written consent of Georgia Civil, Inc.

Sheet Title
 UTILITY PLAN
 Sheet Number
C-5.0



COPY OF LEVEL III SOIL SURVEY PROVIDED BY OTHERS



GEORGIA SOIL MAPPING
INCORPORATED
A DIVISION OF DUSOUTH

Land Surveying
Civil Engineering
Soil Mapping

LEVEL 3 SOIL INVESTIGATION REPORT
FOR ON-SITE SEWAGE MANAGEMENT SYSTEM
- DuSouth -
22 S. Barnett Shoals Road, Watkinsville, GA 30677
706-705-6900 - info@dusouth.net

PREPARED FOR: ROCKDALE BOC. DEPT. OF RECREATION & MAINTENANCE CLIENT PHONE: 678-387-7081 TEST DATE: APRIL 4, 2022

COUNTY: ROCKDALE TAX ID #: 0860010009 SUBDIVISION/LOT NO. NORTH ROCKDALE BAPTIST CHURCH, INC.

STREET NAME: 3130 GA. HWY 138 LOT SIZE: TRACT 1: 4.10 ACRES TRACT 2: 5.33 ACRES FILE NO. 220404AH

SOIL PROPERTIES INTERPRETATION CHART: ESTIMATED SOIL PROPERTIES

SOIL SERIES	APPROX. SLOPE (percent)	DEPTH TO REFUSAL (inches)	DEPTH TO INDICATORS OF SEASONAL WATER TABLE (inches)	EXPECTED ABSORPTION RATE FOR PROPOSED DEPTH (minutes/inch)	RECOMMENDED INSTALLATION DEPTH (inches)	SUITABILITY CODE (GA DPH)	GSM SITE SPECIFIC NOTES
CATAULA	2-15%	>72	0-35 PWT	90 ATU	40-50 GRAVEL	O	GSM1
CECIL	2-15%	>72	>72	60	24-36	A	
HELENA	2-15%	>72	10-25	N/R	N/R	F	
PACOLET	2-15%	>72	>72	45	24-36	A	

Soil properties are based on guidelines established in CT-1 Table of GA DHR Manual for On-site Sewage Management and actual site conditions. N/R = Not Recommended

NOTES: SHWT = Seasonal High Water Table (verified by direct measurement of soil properties. Actual depth to SHWT could be closer to the soil surface for brief periods during wet weather.)
PWT = Perched Water Table

THIS REPORT IS NULL AND VOID IF AREA IS CUT OR FILLED AFTER THE DATE OF THIS EVALUATION.

All information provided in SOIL PROPERTIES INTERPRETATION CHART is based on full length systems with equal distribution of wastewater.

SOIL SUITABILITY CODES
(From pages C-18 and C-18-32 in Georgia DPH Manual for On-Site Sewage Management Systems.)

- A** Soil Series should have the ability to function as a suitable absorption field with proper design and maintenance.
- F** Normally considered unsatisfactory for use for conventional absorption fields.
- O** Due to variations in depth and thickness of restrictive layers, recommended installation depths should be determined onsite by a qualified Soil Classifier. An above site drainage system is recommended to intercept perched water associated with restrictive layers.

GSM SITE SPECIFIC NOTES:
GSM1 These areas have a perched water table condition between 0 and 35 inches. This may be due to prior cultivation/tillage. GSM recommends a deep install with gravel combined with an Aerobic Treatment Unit (ATU) if these areas are proposed for use with an on-site sewage management system. Equal Distribution is also recommended. Surface and potentially subsurface drainage improvements should be made to minimize water flow over/through the drainfield area.

PROPERTY DATA:

- BOUNDARY LINES ARE APPROXIMATED BASED ON SURVEY BY PATRICK & ASSOCIATES, INC. DATED 9/28/2020.
- SOURCE OF TOPOGRAPHY IS ROCKDALE COUNTY 2FT. LIDAR.
- BOUNDARY LINES AND TOPOGRAPHY ARE APPROXIMATED BASED ON BEST AVAILABLE PUBLIC SOURCES. GSM DOES NOT ASSUME ANY LIABILITY FOR THE ACCURACY OF THE BOUNDARY LINES AND TOPOGRAPHY SHOWN HEREON.

FIELD SAMPLING NOTE:
SOIL BORINGS WERE MADE WITH A 2-1/4 INCH, HAND AUGER ADVANCED TO A DEPTH OF 6 FEET (UNLESS OTHERWISE NOTED.). BORING LOCATIONS WERE MARKED IN THE FIELD WITH NUMBERED, PINK FLAGGING TAPE/WIRE FLAGS AT THE APPROXIMATE LOCATIONS SHOWN ON THIS MAP. BORING LOCATIONS, AS WELL AS OTHER MISCELLANEOUS SOIL & SITE CONDITIONS / FEATURES, WERE LOCATED IN THE FIELD USING A GLOBAL POSITIONING SYSTEM TO ASSIST IN MAINTAINING QUALITY CONTROL.

GENERAL NOTES:

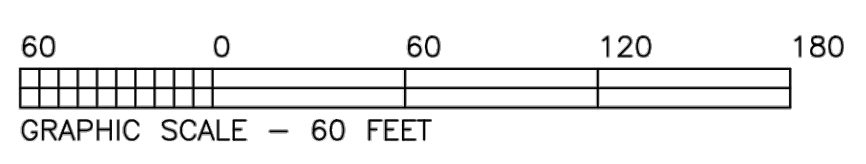
- ESTIMATED SOIL PROPERTIES FOR THIS SITE ARE BASED ON GUIDELINES ESTABLISHED IN CT-1 TABLE OF THE GA DPH MANUAL FOR ON-SITE SEWAGE MANAGEMENT.
- THIS REPORT IS CONSIDERED VOID IF TESTED AREA IS CUT OR FILL MORE THAN 18" AFTER THE TIME OF INVESTIGATION.
- GULLIES, SWALES & BOWL SHAPED LANDSCAPES SHOULD ALL BE AVOIDED WHEN INSTALLING SEPTIC DRAIN FIELD.
- AREAS THAT FLOOD OR HAVE THE POTENTIAL FOR FLOODING, SHOULD BE AVOIDED WHEN INSTALLING SEPTIC DRAIN FIELD.
- TERRACES SHOULD BE GRADED DOWN TO MATCH EXISTING LANDSCAPE IF LOCATED IN THE AREA OF THE PROPOSED SYSTEM.
- THE DRAIN FIELD SITE SHOULD BE GRADED TO PROMOTE THE RAPID RUNOFF OF SURFACE WATER, INCLUDING PIPING ALL DOWNSPOUTS.
- THERE MAY BE WELLS WITHIN THE SEPTIC SETBACKS THAT WERE NOT OBSERVED BY GSM. GSM MAKES EVERY ATTEMPT TO LOCATE WELLS WITHIN 100 LF OF THE PROPOSED DRAIN FIELD. GSM DOES NOT HOWEVER, TRESPASS ON ADJOINING PROPERTIES WITHOUT THE CONSENT OF THE PROPERTY OWNER.
- ANY ALTERATIONS TO THIS SOIL REPORT WITHOUT THE EXPRESSED, WRITTEN CONSENT AND APPROVAL OF GEORGIA SOIL MAPPING, INC. WILL RENDER THIS REPORT NULL AND VOID.
- GEORGIA SOIL MAPPING, INC. DOES NOT DESIGN, INSTALL, PERMIT OR MAINTAIN ANY ON-SITE SEWAGE MANAGEMENT SYSTEMS AND DOES NOT GUARANTEE THE PERFORMANCE ON ANY ON-SITE SEWAGE MANAGEMENT SYSTEM. YOUR LOCAL HEALTH DEPT. HOLDS FULL AUTHORITY IN THE PERMITTING OF ALL ON-SITE SEWAGE MANAGEMENT SYSTEMS AND MAY HAVE A DIFFERENT OPINION ON THE SITE CONDITIONS OR SUITABILITY THAN THE SOIL CLASSIFIER AND WILL HAVE THE FINAL SAY.
- SOIL BOUNDARY LINES SHOULD BE CONSIDERED AS TRANSITIONAL ZONES BETWEEN DIFFERING SOIL TYPES AND NOT AN EXACT LINE. A 5 FOOT TRANSITION LINE SHOULD BE USED WITH LEVEL 4 STUDY.

IMPORTANT NOTE:

- THIS STUDY IS ONLY VALID FOR 5 YEARS FROM THE DATE OF THE CERTIFIED STAMP.
- THIS STUDY IS CONSIDERED NULL AND VOID SHOULD ANY GRADING, CLEARING, STORING OF HEAVY MACHINERY, OR OTHER EVENT THAT MAY AFFECT THE SOIL CHARACTERISTICS SHOWN HEREON OCCUR AFTER THE DESIGN PROFESSIONAL VISITS THE SITE FOR INVESTIGATION.

GSM SITE SPECIFIC NOTES:
GEORGIA SOIL MAPPING, INC. CONDUCTED OUR ORIGINAL LEVEL 3 SOIL INVESTIGATION ON OCTOBER 14 & 19, 2020. JOB NUMBER: 201014RC3. THIS REPORT REFLECTS ANY CHANGES BASED ON ADDITIONAL STUDY AREA AND SHOULD BE USED FOR PERMITTING PURPOSES.

THE UTILITIES SHOWN ARE SHOWN FOR THE CONTRACTOR'S CONVENIENCE ONLY. THERE MAY BE OTHER UTILITIES NOT SHOWN ON THESE PLANS. THE DESIGNER ASSUMES NO RESPONSIBILITY FOR THE LOCATIONS SHOWN AND IT SHALL BE THE CONTRACTOR'S RESPONSIBILITY TO VERIFY THE LOCATIONS OF UTILITIES WITHIN THE LIMITS OF THE WORK. DAMAGE TO EXISTING UTILITIES BY THE CONTRACTOR, FROM HISHER OPERATIONS, SHALL BE THE SOLE RESPONSIBILITY OF THE CONTRACTOR.



DEVELOPER
COMPANY: ROCKDALE COUNTY BOC
ADDRESS: P.O. BOX 289
CONYERS, GA 30012
PHONE: 770-278-7288
FAX: TBD
CONTACT: ANDREW HAMMER
EMAIL: ANDREW.HAMMER@ROCKDALECOUNTYGA.GOV

JASON P. BROWN
LEVEL II CERTIFIED
DESIGN PROFESSIONAL
#53274 - EXP. 05.01.2023

24-HOUR CONTACT
ANDREW HAMMER
770-278-7288

CONTRACTOR
COMPANY: TBD
ADDRESS: -
CONTACT: -
PHONE: -
EMAIL: -

SURVEYOR
COMPANY: PATRICK & ASSOCIATES, INC.
ADDRESS: 928 BLACK LAWN RD
CONYERS, GA 30094
PHONE: 770-483-9745
CONTACT: JAMES S. HULL, JR.

SITE DESIGNER
COMPANY: GEORGIA CIVIL, INC.
ADDRESS: P.O. BOX 896
MADISON, GA 30650
PHONE: 706.342.1104

GEORGIA811
www.Georgia811.com
Contact 811 before you dig

georgia civil
CIVIL ENGINEERING
LANDSCAPE ARCHITECTURE
LAND SURVEYING

311 N. Main St. Ste. 101, Unit C
P.O. Box 896 | Madison, GA 30650
P: 706.342.1104 | F: 706.342.1105
www.georgiacivil.com

Professional Seal

Project Information

ROCKDALE COUNTY FIRE STATION #10
 3100 NE HIGHWAY 138
 CONYERS, GA 30012
 ZONING: WP-WATERSHED PROTECTION DISTRICT

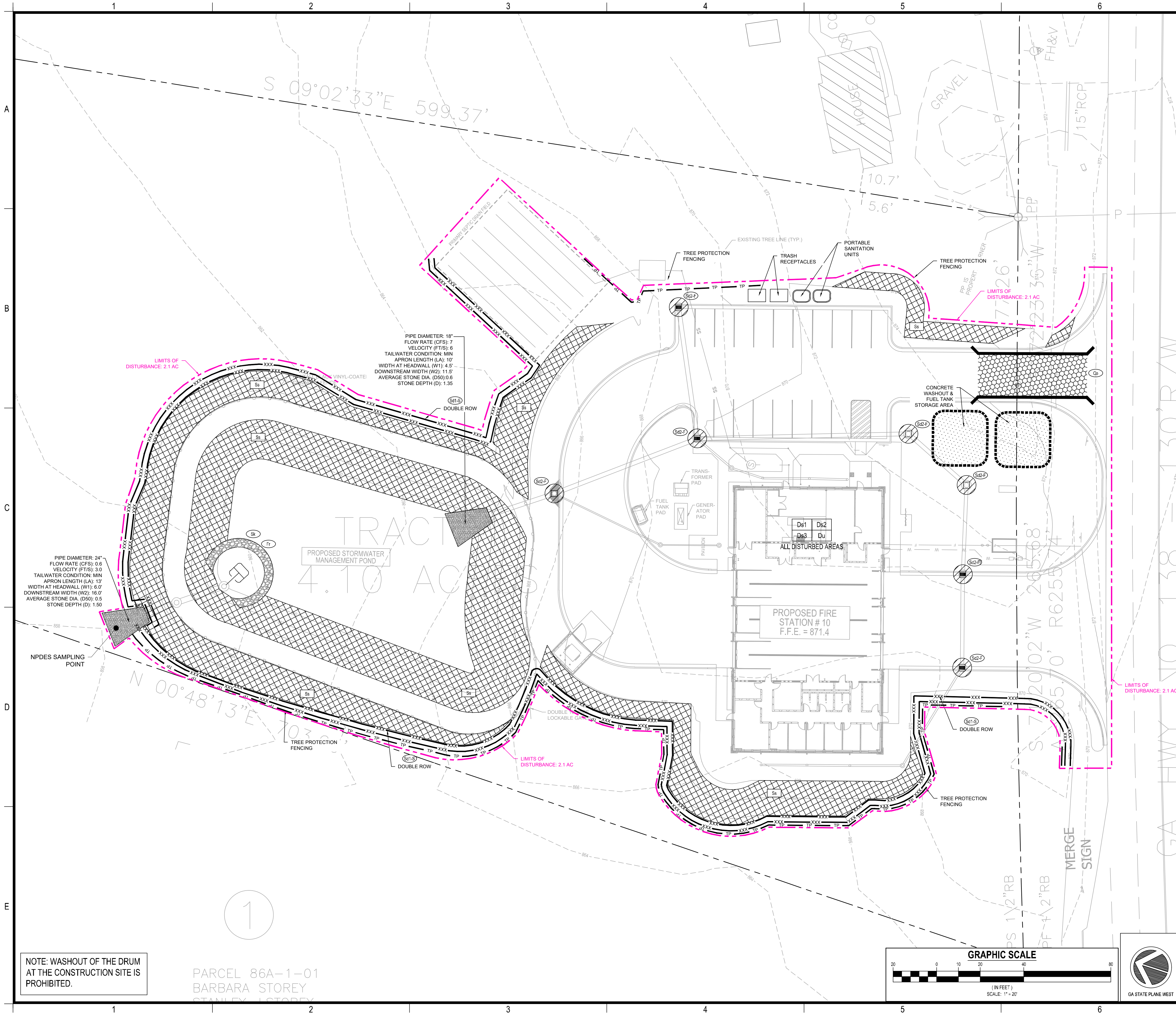
DRAWING DATE:	07.19.22
DRAWN BY:	MSF
CHECKED BY:	JPB
REVISIONS	
DATE:	DESCRIPTION:

© Copyright 2022 georgia civil, inc.
This document and its reproduction are the property of Georgia Civil, Inc. and may not be reproduced, published, or used in whole or in part without the written consent of Georgia Civil, Inc.

Sheet 1 of 2

LEVEL III SOIL SURVEY

Sheet Number
C-5.1



GEORGIA UNIFORM CODING SYSTEM SOIL EROSION & SEDIMENT CONTROL				
STRUCTURAL PRACTICES				
Code	Practice	Symbol	Code	Practice
S2-1	Compost Filter Sock	[Symbol]	S2-2	Inlet Sediment Trap (Gravel Drop Inlet Protection)
S2-3	Straw-Bale Check Dams	[Symbol]	S2-4	Inlet Sediment Trap (Curb Inlet Protection)
S2-5	Stone Check Dams	[Symbol]	S2-6	Inlet Sediment Trap (Soil Inlet Protection)
Ch-1	Channel Stabilization (Vegetative/Soil)	[Symbol]	S2-7	Temporary Sediment Basin
Ch-2	Channel Stabilization (Vegetative/Soil)	[Symbol]	S2-8	Temporary Sediment Trap
Ch-3	Channel Stabilization (Concrete)	[Symbol]	S2-9	Floating Filter Sediment Separator
Co	Construction Exit	[Symbol]	S2-10	Seep Berm
C	Construction Road Stabilization	[Symbol]	S2-11	Temporary Stream Crossing (Bridge)
DC-A	Stream Diversion Channel (Soil/Gravel)	[Symbol]	S2-12	Temporary Stream Crossing (Culvert)
DC-B	Stream Diversion Channel (Soil/Gravel)	[Symbol]	S2-13	Storm Drain Outlet Protection
DC-C	Stream Diversion Channel (Class 1 Rip-Rap and Concrete)	[Symbol]	S2-14	Surface Roughening
Di	Diversion	[Symbol]	Tc-1	Turbidity Curtain (Floating)
Dn-1	Temporary Downstream Structure	[Symbol]	Tc-2	Turbidity Curtain (Silted)
Dn-2	Permanent Downstream Structure	[Symbol]	Tp	Topping
Fi	Fiber Ring	[Symbol]	Ve	Vegetated Mowway or Stormwater Conveyance Channel
Gi	Gabion	[Symbol]	VEGETATIVE MEASURES	
G	Grade Stabilization Structure	[Symbol]	Bf	Buffer Zone
Lv	Level Spreader	[Symbol]	Cs	Coastal Dune Stabilization (w/ Vegetation)
Ra	Rock Filter	[Symbol]	Dd-1	Disturbed Area Stabilization (w/ Mulching Only)
Ra-1	Reinforcing Wall	[Symbol]	Dd-2	Disturbed Area Stabilization (w/ Temporary Seeding)
Ra-2	Retort (Slotted Sheet Pile w/ Stone or Filter Fabric)	[Symbol]	Dd-3	Disturbed Area Stabilization (Permanent Vegetation)
Ra-3	Retort (Pneumatically Applied Concrete)	[Symbol]	Dd-4	Disturbed Area Stabilization (w/ Seeding)
Ra-4	Retort (Synthetic Geotextile)	[Symbol]	Du	Dust Control on Disturbed Areas
Ra-5	Retort (Synthetic Geotextile)	[Symbol]	Fh-Co	Flocculants Coagulants
S2-15	Sediment Barrier (Type I - Crushed Stone)	[Symbol]	Sb	Streambank Stabilization (Using Permanent Vegetation)
S2-16	Sediment Barrier (Type II - Synthetic Geotextile)	[Symbol]	Ss	Slope Stabilization (Synthetic Erosion Control Products (RECPs))
S2-17	Sediment Barrier (Type III - Synthetic Geotextile)	[Symbol]	Tac-1	Tackifiers, Type I (Synthetic Polymers)
S2-18	Sediment Barrier (Type IV - Synthetic Geotextile)	[Symbol]	Tac-2	Tackifiers, Type II (Organic Polymers)
S2-19	Sediment Barrier (Type V - Synthetic Geotextile)	[Symbol]	Tac-3	Tackifiers, Type III (Synthetic Polymers)
S2-20	Sediment Barrier (Type VI - Synthetic Geotextile)	[Symbol]	Tac-4	Tackifiers, Type IV (Synthetic Polymers)
S2-21	Sediment Barrier (Type VII - Synthetic Geotextile)	[Symbol]	Tac-5	Tackifiers, Type V (Synthetic Polymers)

Maintenance of all soil erosion and sedimentation control measures and practices, whether temporary or permanent, shall be at all times the responsibility of the property owner.

REFER TO SHEET C-1.1 AND C-6.1 FOR EROSION, SEDIMENTATION, AND POLLUTION CONTROL NOTES

GSWCC EROSION CONTROL NOTES:
 The escape of sediment from the site shall be prevented by the installation of erosion and sediment control measures and practices prior to land disturbing activities.
 Erosion control measures will be maintained at all times. If full implementation of the approved plan does not provide for effective erosion control, additional erosion and sediment control measures shall be implemented to control or treat the sediment source.
 Any disturbed area left exposed for a period greater than 14 days shall be stabilized with mulch or temporary seeding.
 Any amendments to the ESR&C Plan which have a significant effect on BMPs with a hydraulic component must be certified by the design professional.

DEVELOPER
 COMPANY: ROCKDALE COUNTY/BOC
 ADDRESS: P.O. BOX 289
 CONYERS, GA 30012
 PHONE: 770-278-7288
 FAX: TBD
 CONTACT: ANDREW HAMMER
 EMAIL: ANDREW.HAMMER@ROCKDALECOUNTYGA.GOV

CONTRACTOR
 COMPANY: TBD
 ADDRESS: -
 CONTACT: -
 PHONE: -
 EMAIL: -

SURVEYOR
 COMPANY: PATRICK & ASSOCIATES, INC.
 ADDRESS: 928 BLACK LAWN RD
 CONYERS, GA 30094
 PHONE: 770-833-3745
 CONTACT: JAMES S. HULL, JR.

SITE DESIGNER
 COMPANY: GEORGIA CIVIL, INC.
 ADDRESS: P.O. BOX 895
 MADISON, GA 30650
 PHONE: 706.342.1104

JASON P. BROWN
 LEVEL II CERTIFIED DESIGN PROFESSIONAL
 #53274 - EXP. 05.01.2023
 24-HOUR CONTACT
 ANDREW HAMMER
 770-278-7268

GEORGIA811
 www.Georgia811.com
 Contact 811 before you dig

NOTE: WASHOUT OF THE DRUM AT THE CONSTRUCTION SITE IS PROHIBITED.

PARCEL 86A-1-01
 BARBARA STOREY
 STANLEY STOREY

georgia civil
 CIVIL ENGINEERING
 LANDSCAPE ARCHITECTURE
 LAND SURVEYING
 311 N. Main St., Ste. 101, Unit C
 P.O. Box 896 | Madison, GA 30650
 P: 706.342.1104 | F: 706.342.1105
 www.georgiacivil.com
 Professional Seal

GEORGIA REGISTERED PROFESSIONAL ENGINEER
 JASON P. BROWN

ROCKDALE COUNTY FIRE STATION #10
 3100 NE HIGHWAY 138
 CONYERS, GA 30012
 ZONING: WP-WATERSHED PROTECTION DISTRICT

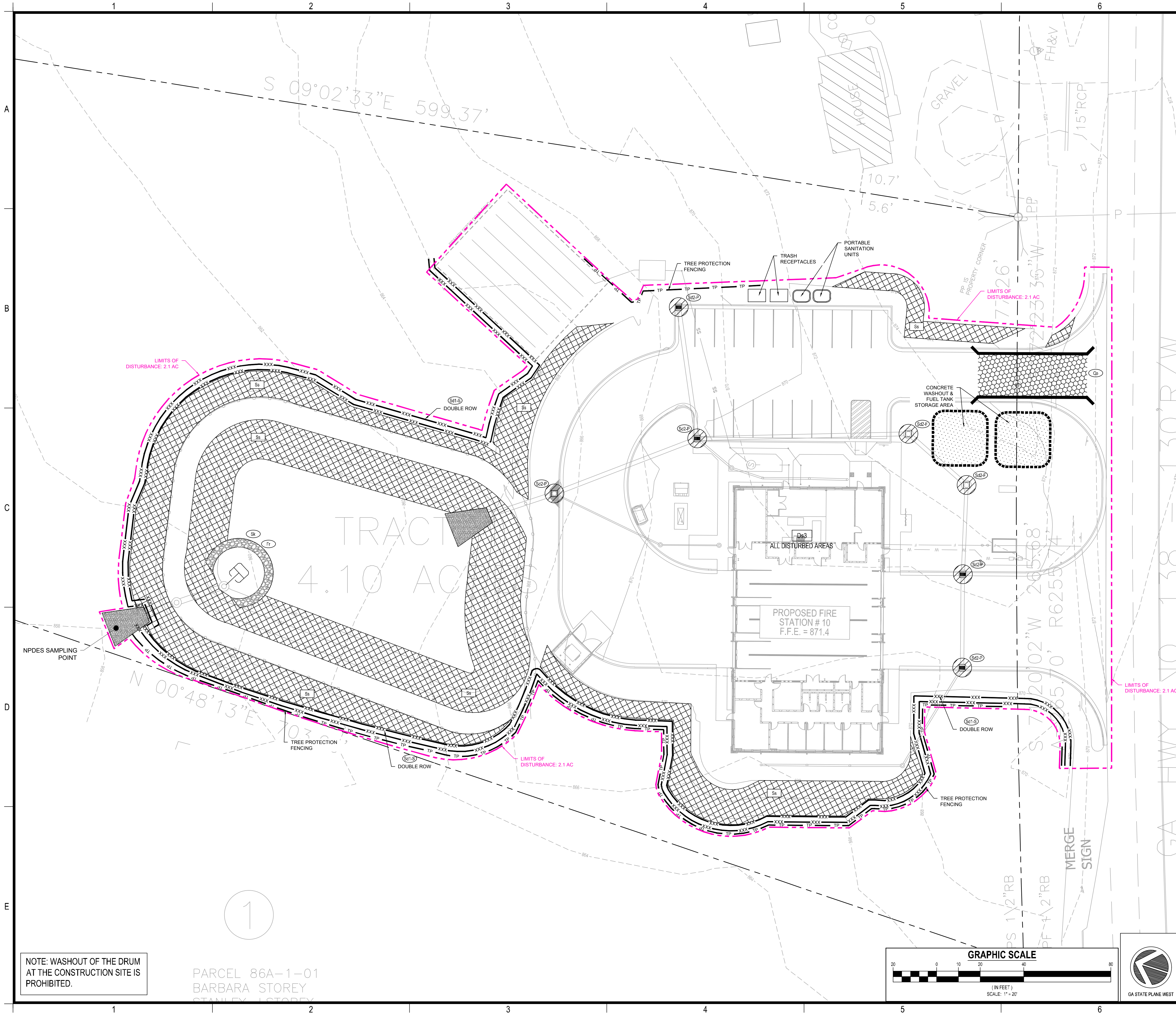
DRAWING DATE: 07.19.22
 DRAWN BY: MSF
 CHECKED BY: JPB

REVISIONS
 DATE: DESCRIPTION:

© Copyright 2022 georgia civil, inc.
 This document and its reproduction are the property of Georgia Civil, Inc. and may not be reproduced, published, or used in whole or in part without the written consent of Georgia Civil, Inc.

PH II EROSION, SEDIMENTATION, & POLLUTION CONTROL PLAN

Sheet Number
C-6.4



GEORGIA UNIFORM CODING SYSTEM SOIL EROSION & SEDIMENT CONTROL					
STRUCTURAL PRACTICES					
Code	Practice	Symbol	Code	Practice	Symbol
S2-1	Compost Filter Sock	[Symbol]	S2-2	Inlet Sediment Trap (Gravel Drop Inlet Protection)	[Symbol]
S2-3	Straw-Bale Check Dams	[Symbol]	S2-4	Inlet Sediment Trap (Curb Inlet Protection)	[Symbol]
S2-5	Stone Check Dams	[Symbol]	S2-6	Inlet Sediment Trap (Soil Inlet Protection)	[Symbol]
Ch-1	Channel Stabilization (Vegetative/Soil)	[Symbol]	S2-7	Temporary Sediment Basin	[Symbol]
Ch-2	Channel Stabilization (Log-Rock, Trilog)	[Symbol]	S2-8	Temporary Sediment Trap	[Symbol]
Ch-3	Channel Stabilization (Category 3 Concrete)	[Symbol]	S2-9	Floating Filter Sediment Separator	[Symbol]
Co	Construction Exit	[Symbol]	S2-10	Seep Berm	[Symbol]
C	Construction Road Stabilization	[Symbol]	S2-11	Temporary Stream Crossing (Bridge)	[Symbol]
Dca	Stream Diversion Channel (Soil/Gravel/Stone)	[Symbol]	S2-12	Temporary Stream Crossing (Culvert)	[Symbol]
Dcb	Stream Diversion Channel (Concrete)	[Symbol]	S2-13	Storm Drain Outlet Protection	[Symbol]
Dcc	Stream Diversion Channel (Class 1 Rip-Rap and Concrete)	[Symbol]	S2-14	Surface Roughening	[Symbol]
Di	Diversion	[Symbol]	S2-15	Turbidity Curtain (Floating)	[Symbol]
Dn1	Temporary Downgrade Structure	[Symbol]	S2-16	Turbidity Curtain (Subsoil)	[Symbol]
Dn2	Permanent Downgrade Structure	[Symbol]	S2-17	Topping	[Symbol]
Fi	Fiber Ring	[Symbol]	S2-18	Vegetated Mowway or Stormwater Conveyance Channel	[Symbol]
Gi	Gabion	[Symbol]	VEGETATIVE MEASURES		
G	Grade Stabilization Structure	[Symbol]	Bf	Buffer Zone	[Symbol]
Lv	Level Spreader	[Symbol]	Cs	Coastal Dune Stabilization (w/ Vegetation)	[Symbol]
Ra	Rock Filter	[Symbol]	Dd1	Disturbed Area Stabilization (w/ Mulching/Drain)	[Symbol]
Rb	Reinforcing Wall	[Symbol]	Dd2	Disturbed Area Stabilization (w/ Temporary Seeding)	[Symbol]
Rd	Retrolift (Slotted Board Dam w/ Stone or Filter Fabric)	[Symbol]	Dd3	Disturbed Area Stabilization (w/ Permanent Vegetation)	[Symbol]
Rf	Retrolift (Purflored Tarp Round Pipe w/ Stone Filter)	[Symbol]	Dd4	Disturbed Area Stabilization (w/ Seeding)	[Symbol]
Rf-S	Retrolift (Soil Stabilized Areas)	[Symbol]	Du	Dust Control on Disturbed Areas	[Symbol]
S1	Sediment Barrier (Type 1 - Struth Sandstone Areas)	[Symbol]	Fh-Co	Flocculants Coagulants	[Symbol]
S1-N	Sediment Barrier (Type 1 - Non-Sandstone Areas)	[Symbol]	Sb	Streambank Stabilization (Using Permanent Vegetation)	[Symbol]
S1-S	Sediment Barrier (Type 1 - Synthetic Areas)	[Symbol]	Ss	Slope Stabilization (Using Erosion Control Products (RECPs))	[Symbol]
S1-T	Sediment Barrier (Type 1 - Temporary Areas)	[Symbol]	Tac-1	Tackifiers Type I (Synthetic Polymers)	[Symbol]
S2-1	Inlet Sediment Trap (Gravel)	[Symbol]	Tac-2	Tackifiers Type II (Organic Polymers)	[Symbol]
S2-2	Inlet Sediment Trap (Block & Gravel)	[Symbol]	Tac-3	Tackifiers Type III (Synthetic Polymers)	[Symbol]
S2-3	Inlet Sediment Trap (Curb Inlet Protection)	[Symbol]	Tac-4	Tackifiers Type IV (Synthetic Polymers)	[Symbol]
S2-4	Inlet Sediment Trap (Soil Inlet Protection)	[Symbol]	Tac-5	Tackifiers Type V (Synthetic Polymers)	[Symbol]
S2-5	Inlet Sediment Trap (Supporting Frame)	[Symbol]			

Maintenance of all soil erosion and sedimentation control measures and practices, whether temporary or permanent, shall be at all times the responsibility of the property owner.

REFER TO SHEET C-1.1 AND C-6.1 FOR EROSION, SEDIMENTATION, AND POLLUTION CONTROL NOTES

GSWCC EROSION CONTROL NOTES:
 The escape of sediment from the site shall be prevented by the installation of erosion and sediment control measures and practices prior to land disturbing activities.
 Erosion control measures will be maintained at all times. If full implementation of the approved plan does not provide for effective erosion control, additional erosion and sediment control measures shall be implemented to control or treat the sediment source.
 Any disturbed area left exposed for a period greater than 14 days shall be stabilized with mulch or temporary seeding.
 Any amendments to the ESR&C Plan which have a significant effect on BMPs with a hydraulic component must be certified by the design professional.

DEVELOPER
 COMPANY: ROCKDALE COUNTY
 ADDRESS: P.O. BOX 289
 CONYERS, GA 30012
 PHONE: 770-278-7268
 FAX: TBD
 CONTACT: ANDREW HAMMER
 EMAIL: ANDREW.HAMMER@ROCKDALECOUNTYGA.GOV

JASON P. BROWN
 LEVEL II CERTIFIED DESIGN PROFESSIONAL
 #53274 - EXP. 05.01.2023

24-HOUR CONTACT
 ANDREW HAMMER
 770-278-7268

CONTRACTOR
 COMPANY: TBD
 ADDRESS: -
 CONTACT: -
 PHONE: -
 EMAIL: -

SURVEYOR
 COMPANY: PATRICK & ASSOCIATES, INC.
 ADDRESS: 928 BLACK LAWN RD
 CONYERS, GA 30094
 PHONE: 770-463-3745
 CONTACT: JAMES S. HULL, JR.

GEORGIA811
 www.Georgia811.com
 Contact 811 before you dig

SITE DESIGNER
 COMPANY: GEORGIA CIVIL, INC.
 ADDRESS: P.O. BOX 898
 MADISON, GA 30650
 PHONE: 706.342.1104

NOTE: WASHOUT OF THE DRUM AT THE CONSTRUCTION SITE IS PROHIBITED.

PARCEL 86A-1-01
 BARBARA STOREY
 STANLEY STOREY

georgia civil
 CIVIL ENGINEERING
 LANDSCAPE ARCHITECTURE
 LAND SURVEYING

311 N. Main St., Ste. 101, Unit C
 P.O. Box 898 | Madison, GA 30650
 P: 706.342.1104 | F: 706.342.1105
 www.georgiacivil.com

Professional Seal

Project Information

ROCKDALE COUNTY FIRE STATION #10
 3100 NE HIGHWAY 138
 CONYERS, GA 30012
 ZONING: WP-WATERSHED PROTECTION DISTRICT

DRAWING DATE: 07.19.22
DRAWN BY: MSF
CHECKED BY: JPB

REVISIONS	
DATE	DESCRIPTION

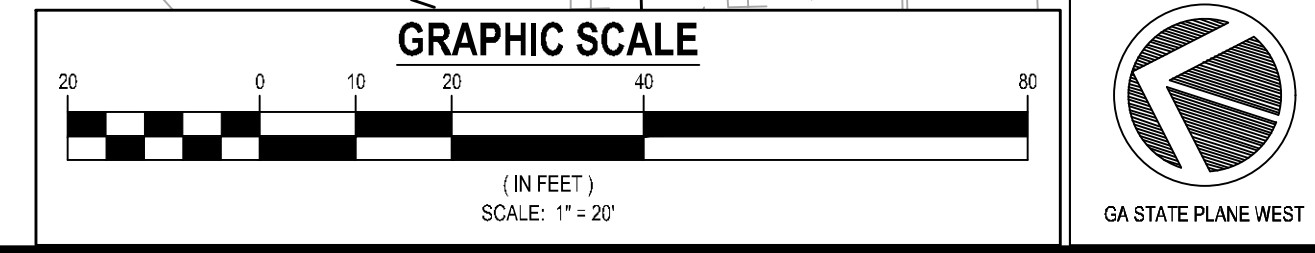
© Copyright 2022 georgia civil, inc.
 This document and its reproduction are the property of Georgia Civil, Inc. and may not be reproduced, published, or used in whole or in part without the written consent of Georgia Civil, Inc.

Sheet Title

PH III EROSION, SEDIMENTATION, & POLLUTION CONTROL PLAN

Sheet Number

C-6.5



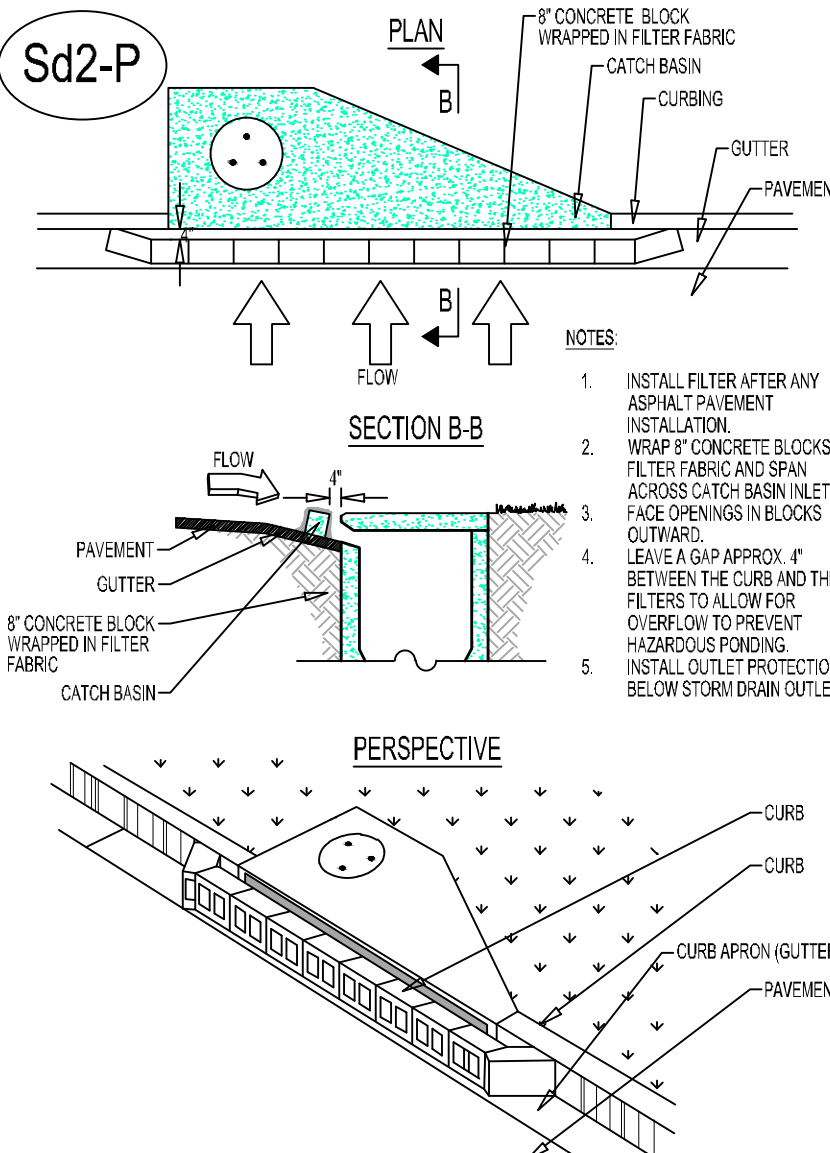
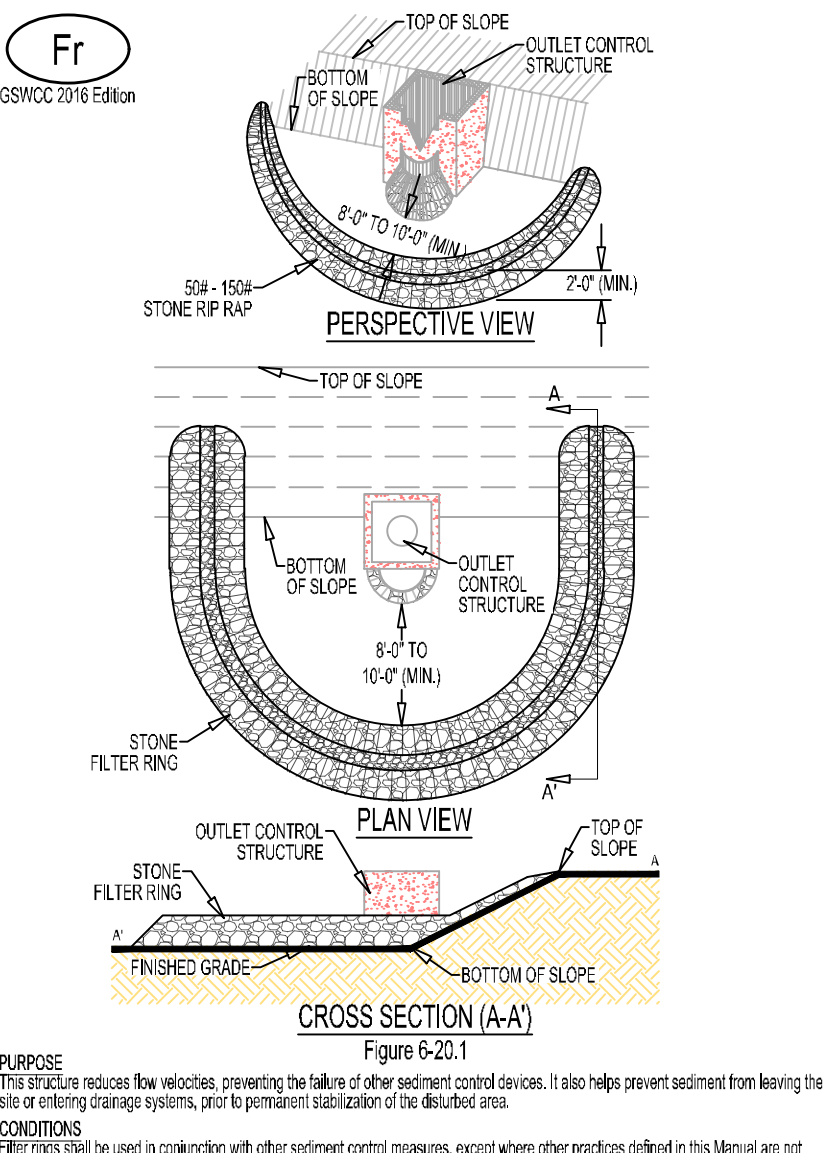
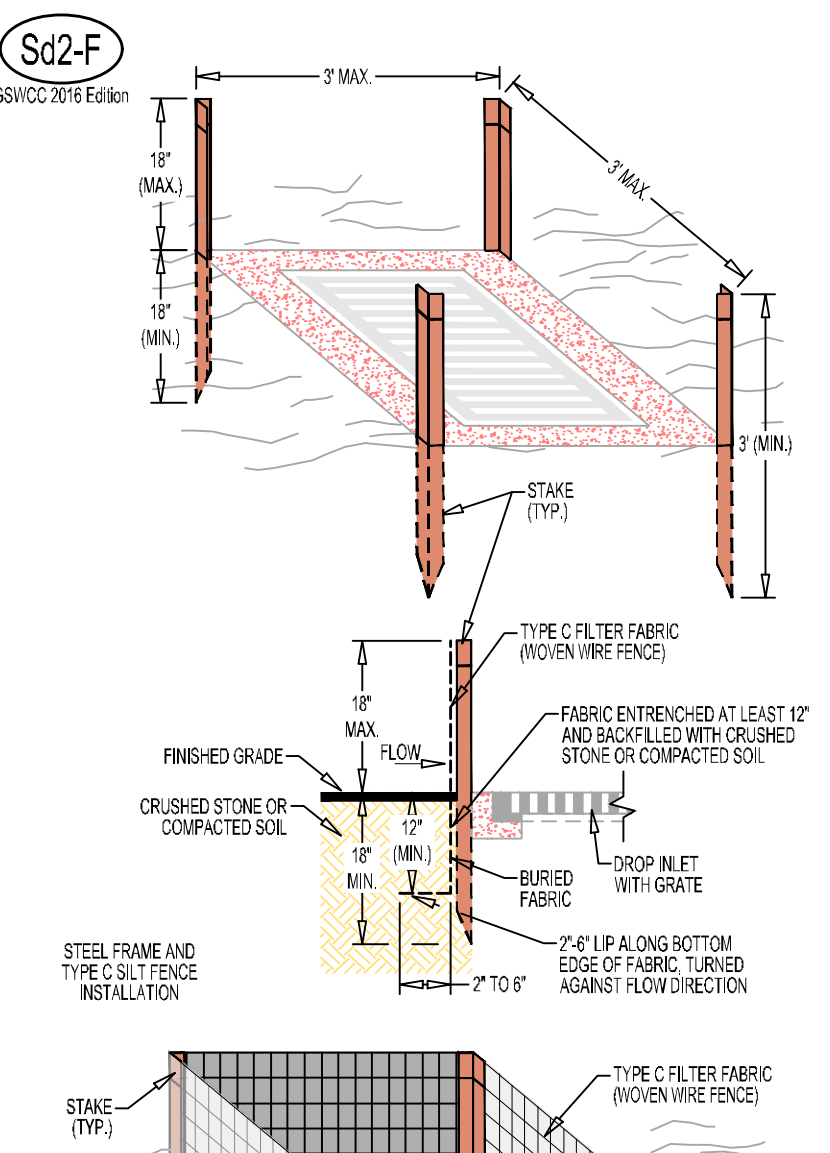
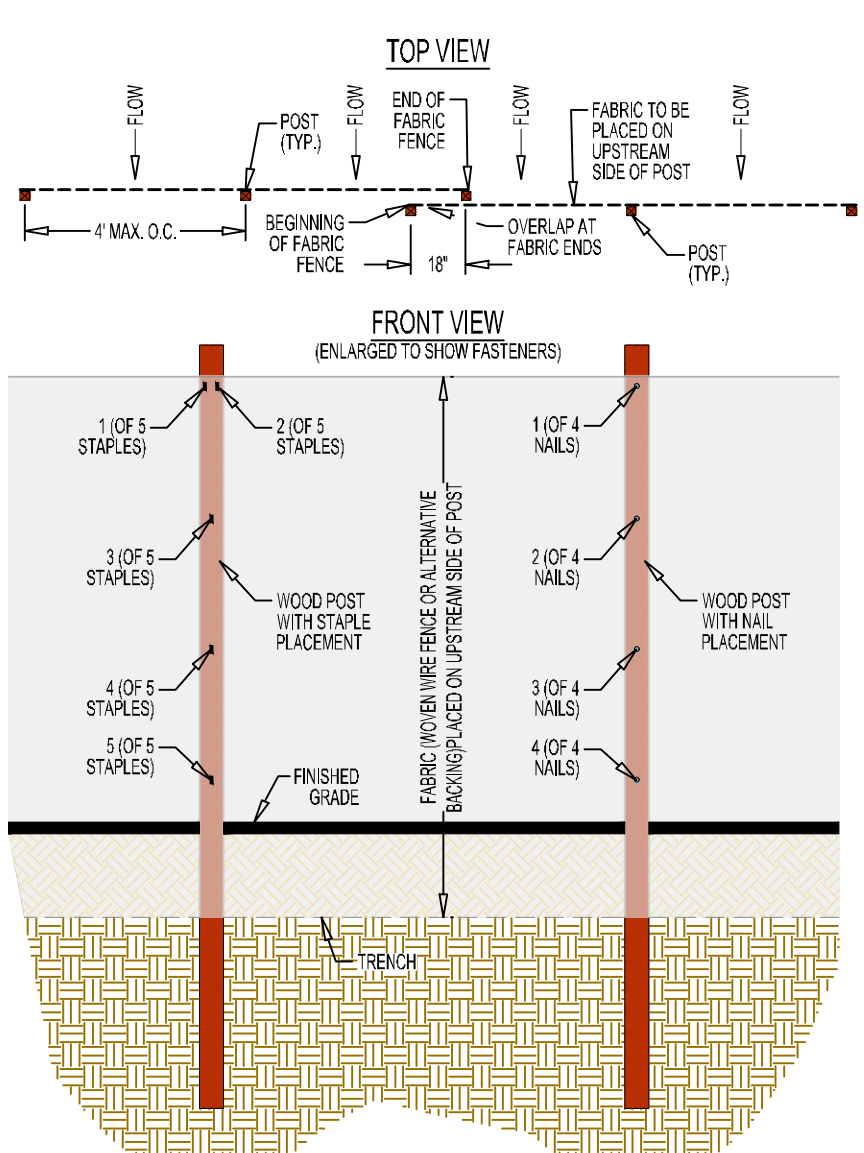
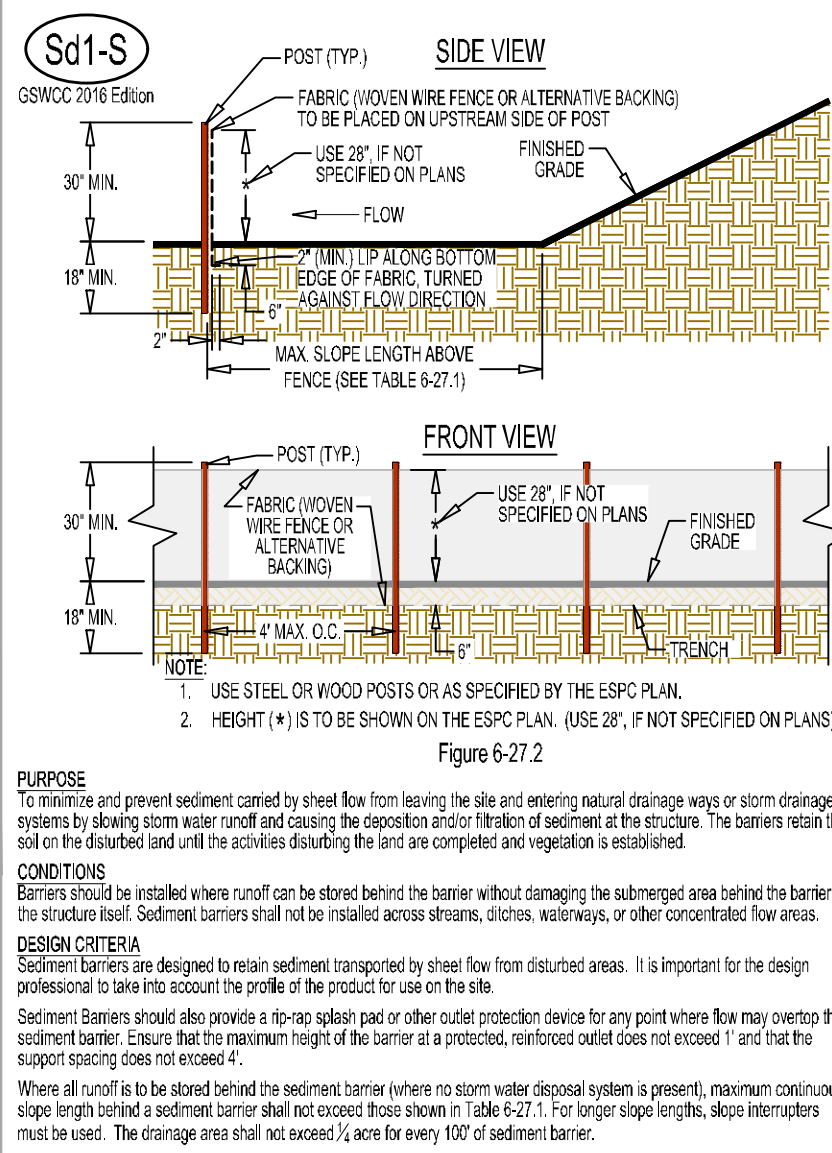
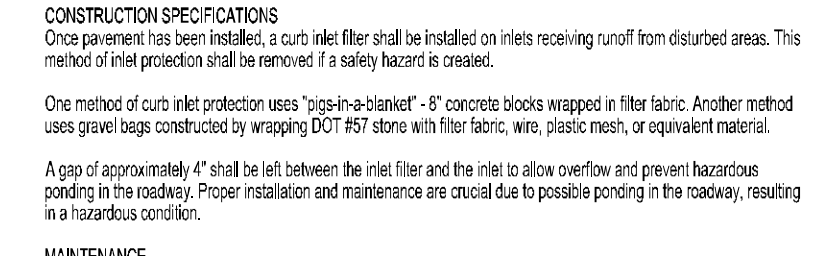
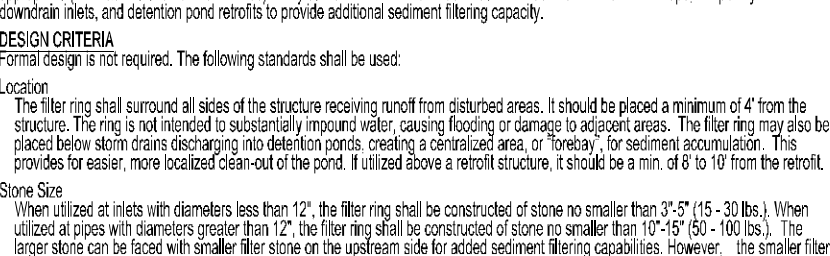
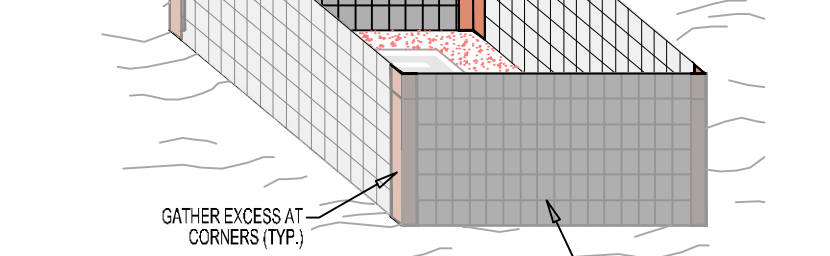
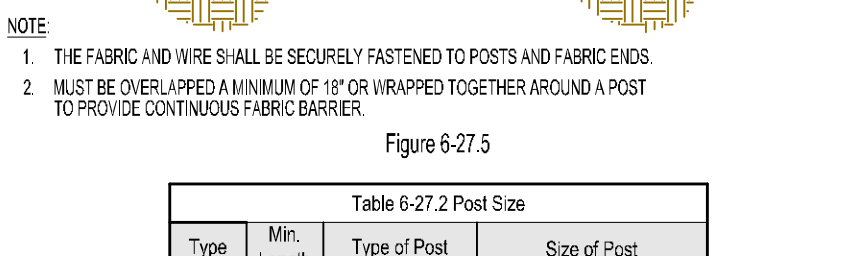


Table 6-27.1 Criteria for Sediment Barrier

Land Slope Percent	Maximum Slope Length Above Fence Feet
≤ 2	100
2 to 5	75
5 to 10	50
10 to 20	25
≥ 20	15



PURPOSE: To minimize and prevent sediment carried by sheet flow from leaving the site and entering natural drainage ways or storm drainage systems by slowing storm water runoff and causing the deposition and/or filtration of sediment at the structure.

DESIGN CRITERIA: Sediment barriers are designed to retain sediment transported by sheet flow from disturbed areas. It is important for the design professional to determine the profile of the product to use on the site.

DESIGN CRITERIA: Sediment barriers should also provide a rip-rap splash pad or other outlet protection device for any point where flow may overtop the sediment barrier. Ensure that the maximum height of the barrier at a protection outlet does not exceed 1' and that the supporting structure does not exceed 1'.

CONSTRUCTION SPECIFICATIONS: Sediment barriers shall be installed where runoff can be stored behind the barrier without disturbing the adjacent area behind the barrier or the structure level. Sediment barriers shall not be installed across streams, ditches, waterways, or other concentrated flow areas.

DESIGN CRITERIA: The fabric and wire shall be securely fastened to posts and fabric ends. 1. MUST BE OVERLAPPED A MINIMUM OF 18" OR WRAPPED TOGETHER AROUND A POST TO PROVIDE CONTINUOUS FABRIC BARRIER.

PURPOSE: The filter ring reduces flow velocities, preventing the failure of other sediment control devices. It also helps prevent sediment from leaving the site or entering drainage systems, prior to permanent stabilization of the disturbed area.

DESIGN CRITERIA: The filter ring shall be constructed of stone no smaller than 2 1/2" (1.5 - 30 lbs.) when utilized at sites with channels less than 12". The filter ring shall be constructed of stone no smaller than 1 1/2" (15 - 90 lbs.) when utilized at sites with channels greater than 12". The filter ring may be constructed of stone or crushed stone or compacted soil.

CONSTRUCTION SPECIFICATIONS: One method of curb inlet protection uses "pigs-in-a-blanket" - 4" concrete blocks wrapped in filter fabric. Another method uses gravel bags constructed by wrapping DOT #57 stone with filter fabric, plastic mesh, or equivalent material.

CONSTRUCTION SPECIFICATIONS: Sediment barriers shall be installed on a support spacing of no greater than 4' on centers, with each being driven into the ground a minimum of 18".

MAINTENANCE: Sediment shall be removed from curb inlet protection immediately. Sediment shall not be washed into the inlet. It shall be removed from the sediment trap, disposed of and stabilized so that it will not enter the inlet again.

Table 6-27.2 Post Size

Type	Min. Length	Post Size	Span of Post
S	4'	Steel	1.15-1.25 ft. min. 2.2'

Table 6-27.3 Fasteners for Wood Posts

Type	Gauge	Crown	Legs	Staples per Post
Wire Staples	17 min.	3/4" wide	7/8" long	5 min.
Nails	14 min.	1"	3/4"	4 min.

CONSTRUCTION SPECIFICATIONS: Mechanical filter structures of stone that are required to uniformly surround the structure to be agglomerated. Refer to Appendix C for post rip-rap specifications. The filter ring may be constructed of natural ground surface, on an existing concrete slab, or on machine compacted fill. A concrete slab of filter ring is created by placing a 2" to 4" layer of compacted stone or gravel on the ground surface, then placing a 2" to 4" layer of filter fabric on top of the compacted stone or gravel.

CONSTRUCTION SPECIFICATIONS: One method of curb inlet protection uses "pigs-in-a-blanket" - 4" concrete blocks wrapped in filter fabric. Another method uses gravel bags constructed by wrapping DOT #57 stone with filter fabric, plastic mesh, or equivalent material.

CONSTRUCTION SPECIFICATIONS: Sediment barriers shall be installed on a support spacing of no greater than 4' on centers, with each being driven into the ground a minimum of 18".

MAINTENANCE: Sediment shall be removed from curb inlet protection immediately. Sediment shall not be washed into the inlet. It shall be removed from the sediment trap, disposed of and stabilized so that it will not enter the inlet again.

Table 6-27.4 Type C Fabric Fence

Type	Tensile Strength (lb. Min.) (ASTM D-4832)	Warp	200 Fill - 180
40	40		
#30			
70			
80			
175			
36			

CONSTRUCTION SPECIFICATIONS: Sediment barriers shall be installed on a support spacing of no greater than 4' on centers, with each being driven into the ground a minimum of 18".

MAINTENANCE: Sediment shall be removed from curb inlet protection immediately. Sediment shall not be washed into the inlet. It shall be removed from the sediment trap, disposed of and stabilized so that it will not enter the inlet again.

CONSTRUCTION SPECIFICATIONS: Sediment barriers shall be installed on a support spacing of no greater than 4' on centers, with each being driven into the ground a minimum of 18".

MAINTENANCE: Sediment shall be removed from curb inlet protection immediately. Sediment shall not be washed into the inlet. It shall be removed from the sediment trap, disposed of and stabilized so that it will not enter the inlet again.

CONSTRUCTION SPECIFICATIONS: Sediment barriers shall be installed on a support spacing of no greater than 4' on centers, with each being driven into the ground a minimum of 18".

MAINTENANCE: Sediment shall be removed from curb inlet protection immediately. Sediment shall not be washed into the inlet. It shall be removed from the sediment trap, disposed of and stabilized so that it will not enter the inlet again.

SENSITIVE AREA(S) SEDIMENT BARRIER (TYPE C SILT FENCE) - (Sd1-S)

CONSTRUCTION SPECIFICATIONS: Sediment barriers shall be installed on a support spacing of no greater than 4' on centers, with each being driven into the ground a minimum of 18".

INLET SEDIMENT TRAP (FILTER FABRIC W/ SUPPORTING FRAME) - (Sd2-F)

CONSTRUCTION SPECIFICATIONS: Sediment barriers shall be installed on a support spacing of no greater than 4' on centers, with each being driven into the ground a minimum of 18".

RIP-RAP CLASSIFICATION SPECIFICATIONS

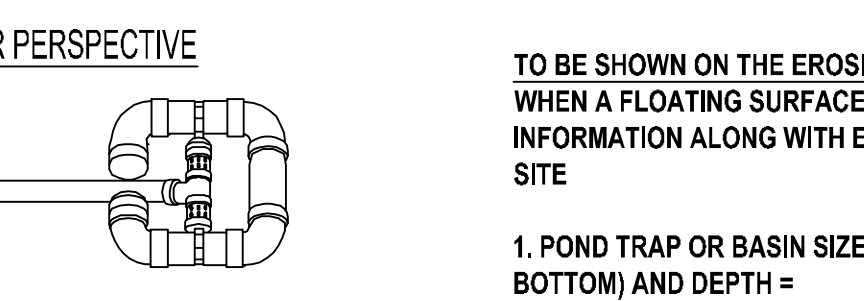
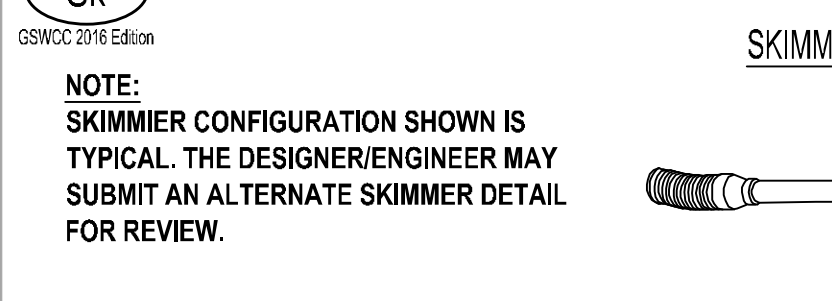
CONSTRUCTION SPECIFICATIONS: Sediment barriers shall be installed on a support spacing of no greater than 4' on centers, with each being driven into the ground a minimum of 18".

CONSTRUCTION SPECIFICATIONS: Sediment barriers shall be installed on a support spacing of no greater than 4' on centers, with each being driven into the ground a minimum of 18".

MAINTENANCE: Sediment shall be removed from curb inlet protection immediately. Sediment shall not be washed into the inlet. It shall be removed from the sediment trap, disposed of and stabilized so that it will not enter the inlet again.

FLOCCULANTS COAGULANTS - (FI-Co)

CONSTRUCTION SPECIFICATIONS: Sediment barriers shall be installed on a support spacing of no greater than 4' on centers, with each being driven into the ground a minimum of 18".



TO BE SHOWN ON THE EROSION, SEDIMENTATION AND POLLUTION CONTROL PLAN WHEN A FLOATING SURFACE SKIMMER IS USED, SHOW THE FOLLOWING INFORMATION ALONG WITH EACH SKIMMER POINT, TRAP OR BASIN BEING USED ON SITE

1. POND TRAP OR BASIN SIZE, LENGTH* (TOP AND BOTTOM), WIDTH* (TOP AND BOTTOM) AND DEPTH =

2. TIME TO DRAIN (HRS) =

3. SKIMMER DIMENSIONS (ORIFICE AND HEAD SIZE)**

4. MANUFACTURER'S NAME

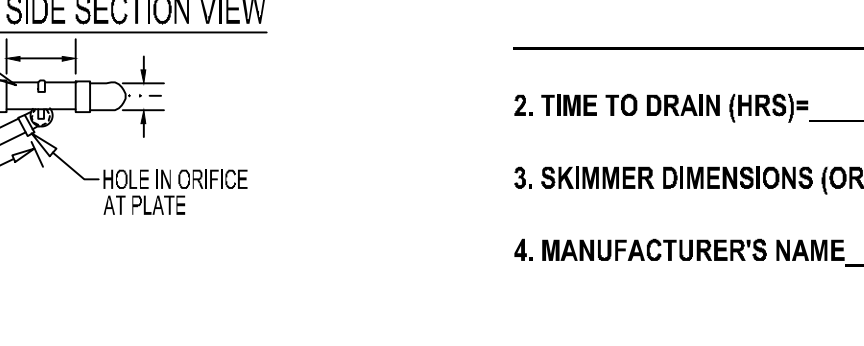
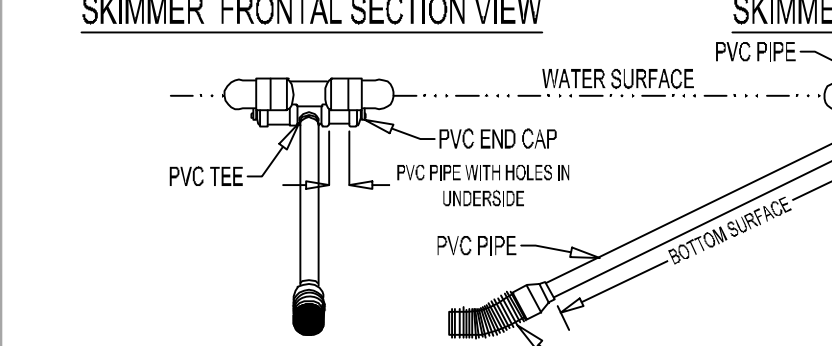
* FEET, ** INCHES

CONSTRUCTION SPECIFICATIONS: Sediment barriers shall be installed on a support spacing of no greater than 4' on centers, with each being driven into the ground a minimum of 18".

MAINTENANCE: Sediment shall be removed from curb inlet protection immediately. Sediment shall not be washed into the inlet. It shall be removed from the sediment trap, disposed of and stabilized so that it will not enter the inlet again.

CONSTRUCTION SPECIFICATIONS: Sediment barriers shall be installed on a support spacing of no greater than 4' on centers, with each being driven into the ground a minimum of 18".

MAINTENANCE: Sediment shall be removed from curb inlet protection immediately. Sediment shall not be washed into the inlet. It shall be removed from the sediment trap, disposed of and stabilized so that it will not enter the inlet again.



CONSTRUCTION SPECIFICATIONS: Sediment barriers shall be installed on a support spacing of no greater than 4' on centers, with each being driven into the ground a minimum of 18".

MAINTENANCE: Sediment shall be removed from curb inlet protection immediately. Sediment shall not be washed into the inlet. It shall be removed from the sediment trap, disposed of and stabilized so that it will not enter the inlet again.

CONSTRUCTION SPECIFICATIONS: Sediment barriers shall be installed on a support spacing of no greater than 4' on centers, with each being driven into the ground a minimum of 18".

MAINTENANCE: Sediment shall be removed from curb inlet protection immediately. Sediment shall not be washed into the inlet. It shall be removed from the sediment trap, disposed of and stabilized so that it will not enter the inlet again.

CONSTRUCTION SPECIFICATIONS: Sediment barriers shall be installed on a support spacing of no greater than 4' on centers, with each being driven into the ground a minimum of 18".

MAINTENANCE: Sediment shall be removed from curb inlet protection immediately. Sediment shall not be washed into the inlet. It shall be removed from the sediment trap, disposed of and stabilized so that it will not enter the inlet again.

CONSTRUCTION SPECIFICATIONS: Sediment barriers shall be installed on a support spacing of no greater than 4' on centers, with each being driven into the ground a minimum of 18".

MAINTENANCE: Sediment shall be removed from curb inlet protection immediately. Sediment shall not be washed into the inlet. It shall be removed from the sediment trap, disposed of and stabilized so that it will not enter the inlet again.

CONSTRUCTION SPECIFICATIONS: Sediment barriers shall be installed on a support spacing of no greater than 4' on centers, with each being driven into the ground a minimum of 18".

MAINTENANCE: Sediment shall be removed from curb inlet protection immediately. Sediment shall not be washed into the inlet. It shall be removed from the sediment trap, disposed of and stabilized so that it will not enter the inlet again.

CONSTRUCTION SPECIFICATIONS: Sediment barriers shall be installed on a support spacing of no greater than 4' on centers, with each being driven into the ground a minimum of 18".

MAINTENANCE: Sediment shall be removed from curb inlet protection immediately. Sediment shall not be washed into the inlet. It shall be removed from the sediment trap, disposed of and stabilized so that it will not enter the inlet again.

CONSTRUCTION SPECIFICATIONS: Sediment barriers shall be installed on a support spacing of no greater than 4' on centers, with each being driven into the ground a minimum of 18".

MAINTENANCE: Sediment shall be removed from curb inlet protection immediately. Sediment shall not be washed into the inlet. It shall be removed from the sediment trap, disposed of and stabilized so that it will not enter the inlet again.

CONSTRUCTION SPECIFICATIONS: Sediment barriers shall be installed on a support spacing of no greater than 4' on centers, with each being driven into the ground a minimum of 18".

MAINTENANCE: Sediment shall be removed from curb inlet protection immediately. Sediment shall not be washed into the inlet. It shall be removed from the sediment trap, disposed of and stabilized so that it will not enter the inlet again.

CONSTRUCTION SPECIFICATIONS: Sediment barriers shall be installed on a support spacing of no greater than 4' on centers, with each being driven into the ground a minimum of 18".

MAINTENANCE: Sediment shall be removed from curb inlet protection immediately. Sediment shall not be washed into the inlet. It shall be removed from the sediment trap, disposed of and stabilized so that it will not enter the inlet again.

CONSTRUCTION SPECIFICATIONS: Sediment barriers shall be installed on a support spacing of no greater than 4' on centers, with each being driven into the ground a minimum of 18".

MAINTENANCE: Sediment shall be removed from curb inlet protection immediately. Sediment shall not be washed into the inlet. It shall be removed from the sediment trap, disposed of and stabilized so that it will not enter the inlet again.

CONSTRUCTION SPECIFICATIONS: Sediment barriers shall be installed on a support spacing of no greater than 4' on centers, with each being driven into the ground a minimum of 18".

MAINTENANCE: Sediment shall be removed from curb inlet protection immediately. Sediment shall not be washed into the inlet. It shall be removed from the sediment trap, disposed of and stabilized so that it will not enter the inlet again.

CONSTRUCTION SPECIFICATIONS: Sediment barriers shall be installed on a support spacing of no greater than 4' on centers, with each being driven into the ground a minimum of 18".

MAINTENANCE: Sediment shall be removed from curb inlet protection immediately. Sediment shall not be washed into the inlet. It shall be removed from the sediment trap, disposed of and stabilized so that it will not enter the inlet again.

CONSTRUCTION SPECIFICATIONS: Sediment barriers shall be installed on a support spacing of no greater than 4' on centers, with each being driven into the ground a minimum of 18".

MAINTENANCE: Sediment shall be removed from curb inlet protection immediately. Sediment shall not be washed into the inlet. It shall be removed from the sediment trap, disposed of and stabilized so that it will not enter the inlet again.

CONSTRUCTION SPECIFICATIONS: Sediment barriers shall be installed on a support spacing of no greater than 4' on centers, with each being driven into the ground a minimum of 18".

MAINTENANCE: Sediment shall be removed from curb inlet protection immediately. Sediment shall not be washed into the inlet. It shall be removed from the sediment trap, disposed of and stabilized so that it will not enter the inlet again.

CONSTRUCTION SPECIFICATIONS: Sediment barriers shall be installed on a support spacing of no greater than 4' on centers, with each being driven into the ground a minimum of 18".

MAINTENANCE: Sediment shall be removed from curb inlet protection immediately. Sediment shall not be washed into the inlet. It shall be removed from the sediment trap, disposed of and stabilized so that it will not enter the inlet again.

CONSTRUCTION SPECIFICATIONS: Sediment barriers shall be installed on a support spacing of no greater than 4' on centers, with each being driven into the ground a minimum of 18".

MAINTENANCE: Sediment shall be removed from curb inlet protection immediately. Sediment shall not be washed into the inlet. It shall be removed from the sediment trap, disposed of and stabilized so that it will not enter the inlet again.

CONSTRUCTION SPECIFICATIONS: Sediment barriers shall be installed on a support spacing of no greater than 4' on centers, with each being driven into the ground a minimum of 18".

MAINTENANCE: Sediment shall be removed from curb inlet protection immediately. Sediment shall not be washed into the inlet. It shall be removed from the sediment trap, disposed of and stabilized so that it will not enter the inlet again.

CONSTRUCTION SPECIFICATIONS: Sediment barriers shall be installed on a support spacing of no greater than 4' on centers, with each being driven into the ground a minimum of 18".

MAINTENANCE: Sediment shall be removed from curb inlet protection immediately. Sediment shall not be washed into the inlet. It shall be removed from the sediment trap, disposed of and stabilized so that it will not enter the inlet again.



Project Information

ROCKDALE COUNTY FIRE STATION #10
3100 NE HIGHWAY 138
CONYERS, GA 30012
ZONING: WP-WATERSHED PROTECTION DISTRICT

DRAWING DATE: 07.19.22
DRAWN BY: MSF
CHECKED BY: JPB

REVISIONS

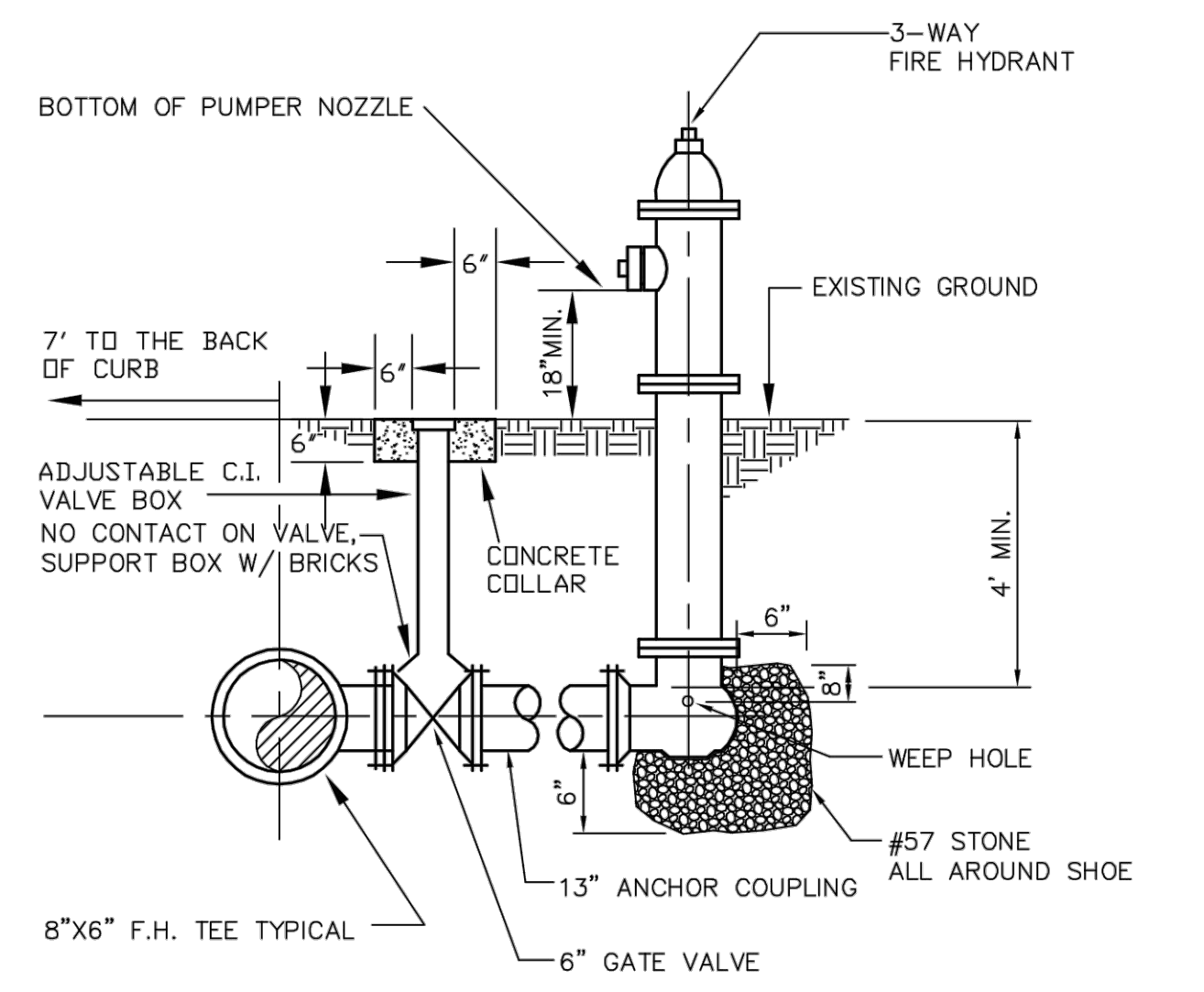
DATE:	DESCRIPTION:

Copyright 2022 georgia civil, inc.
This document and its reproduction are the property of Georgia Civil, Inc. and may not be reproduced, published, or used in whole or in part without the written consent of Georgia Civil, Inc.

**EROSION
SEDIMENTATION &
POLLUTION CONTROL
DETAILS**

Sheet Number

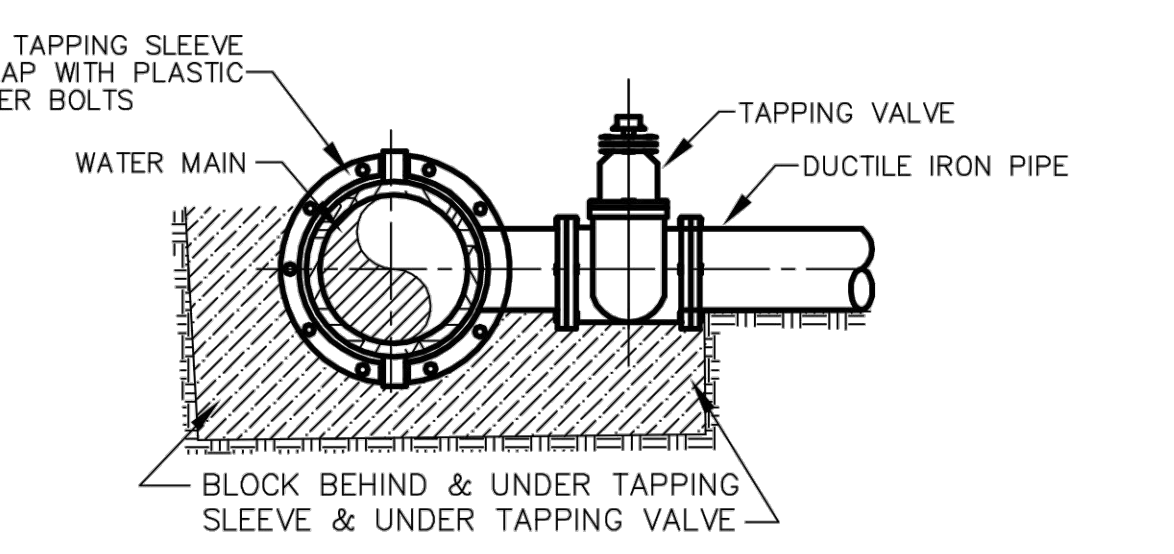
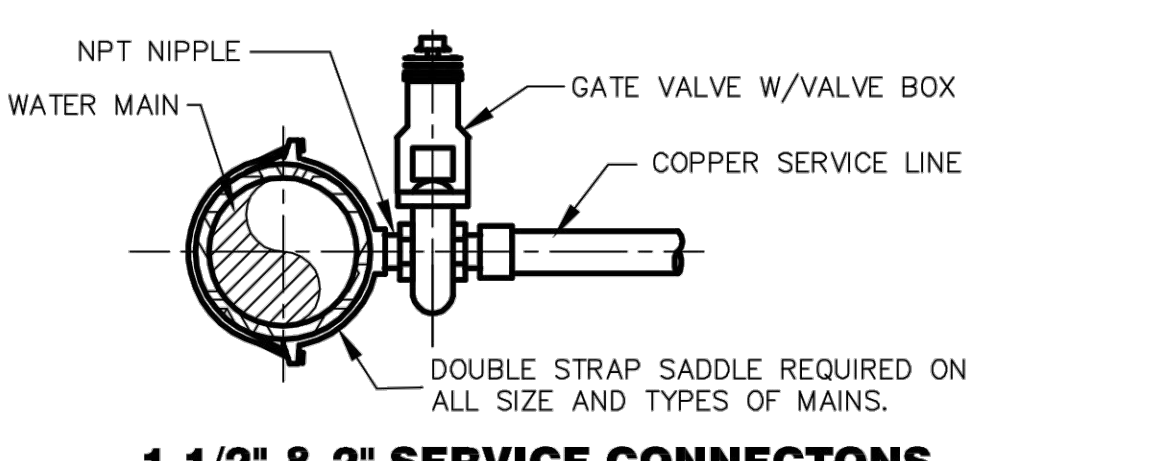
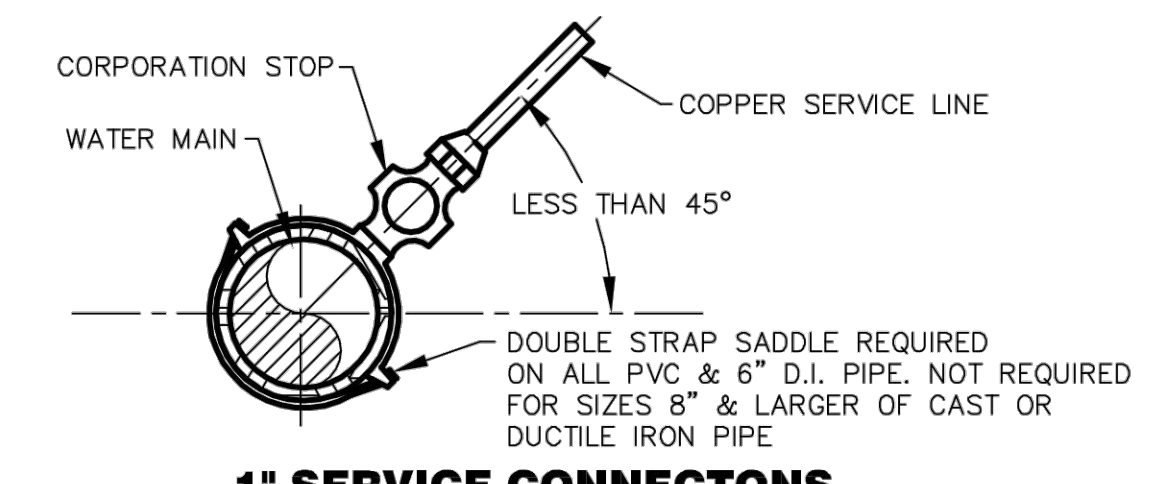
C-6.19



R
ROCKDALE WATER RESOURCES

**FIRE HYDRANT INSTALLATION
SUBDIVISION STREET
NOT TO SCALE**

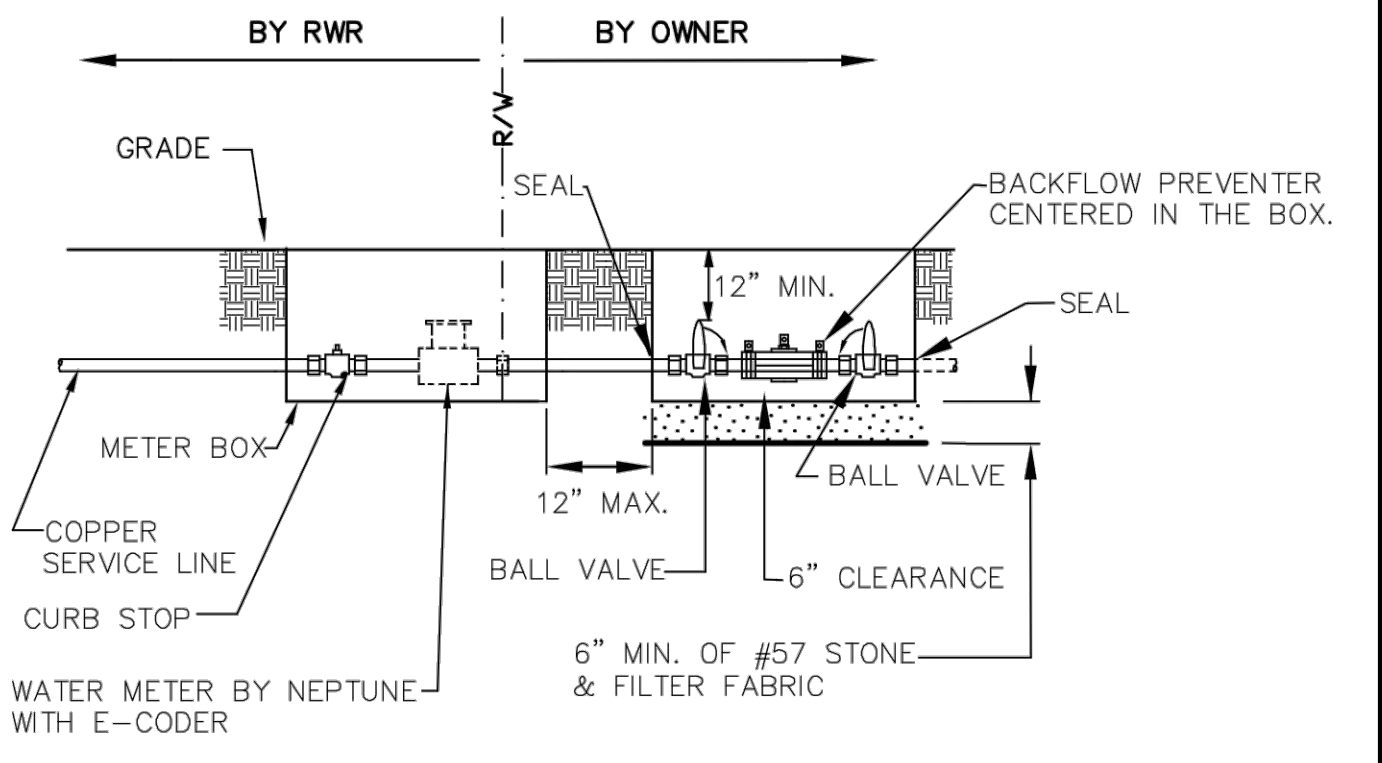
STANDARD DRAWING No. A-6



R
ROCKDALE WATER RESOURCES

**CONNECTIONS TO
WATER MAINS
NOT TO SCALE**

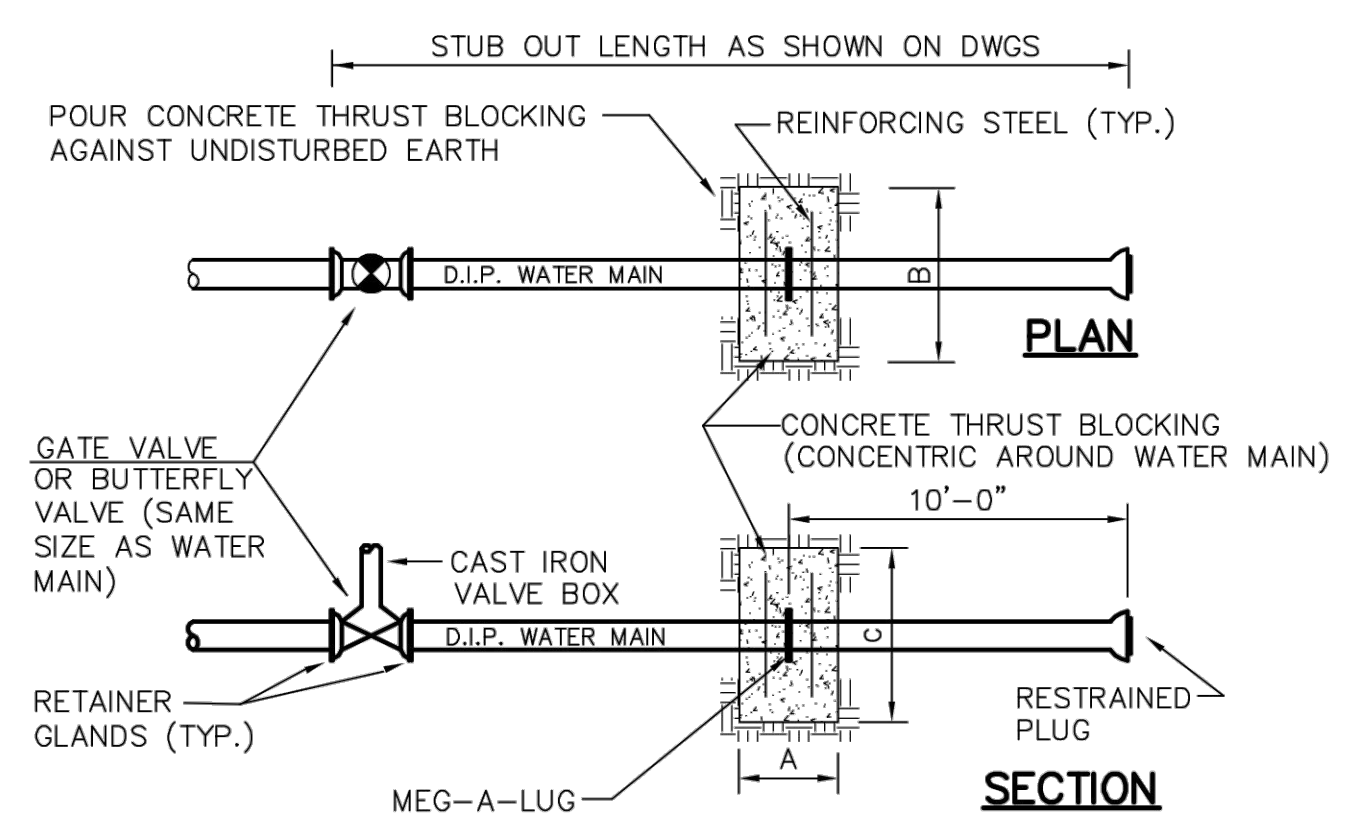
STANDARD DRAWING No. A-8



R
ROCKDALE WATER RESOURCES

**COMMERCIAL 5/8 - 2\"
WATER METER AND
BACKFLOW PREVENTION
DEVICE
NOT TO SCALE**

STANDARD DRAWING No. A-12



WATER MAIN DIA.	CONC. COLLAR DIM.			STEEL REINFORCING
	A	B	C	
16"	2'-6"	6'-6"	6'-6"	#8 @ 12" O.C. EW EF
12"	2'-0"	5'-3"	5'-3"	#7 @ 12" O.C. EW EF
8"	1'-6"	4'-0"	4'-0"	#6 @ 12" O.C. EW EF

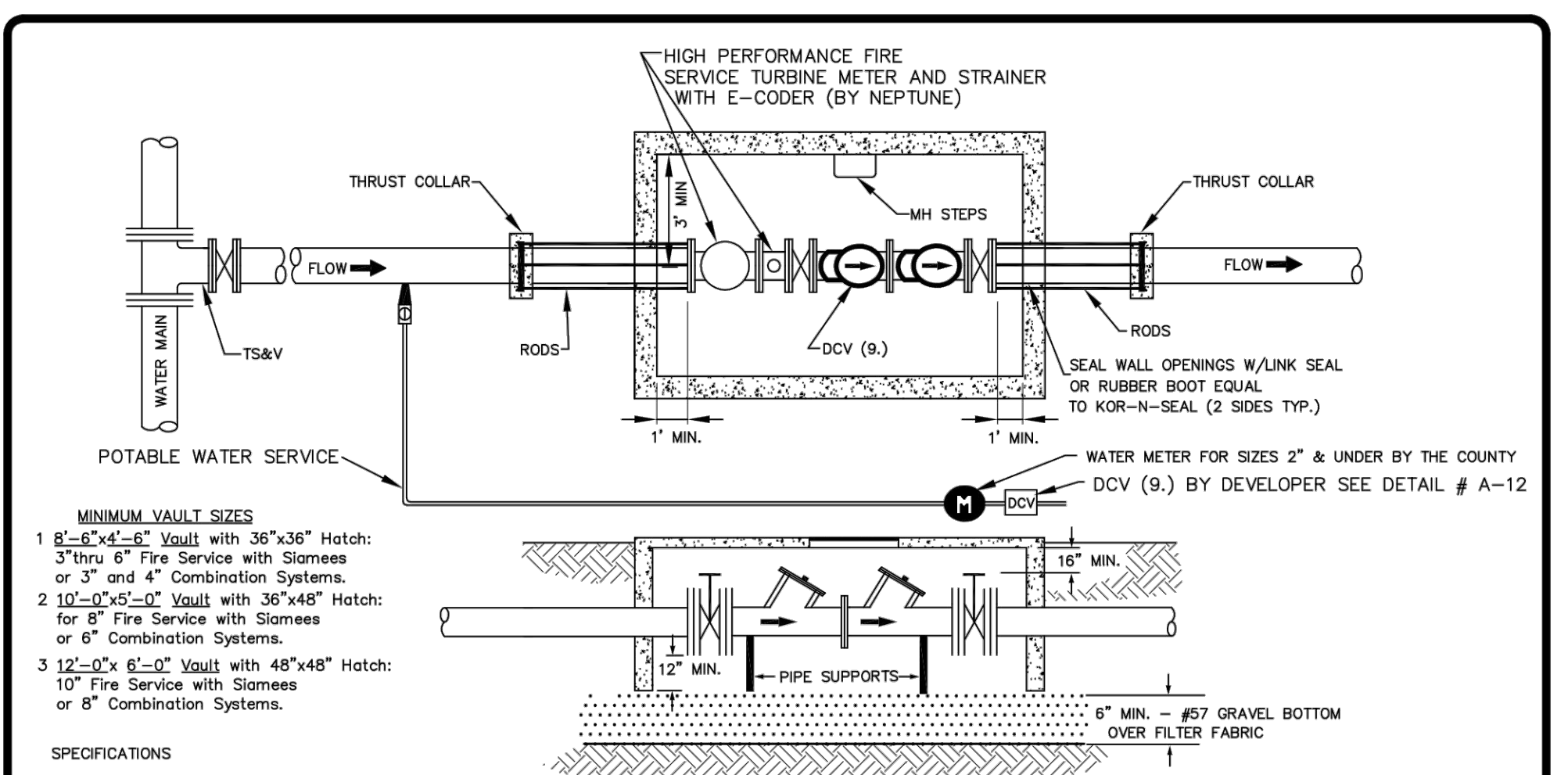
TEST PRESSURE: 250 PSI
SOIL BEARING PRESSURE: 2000 PSF

THRUST COLLARS

R
ROCKDALE WATER RESOURCES

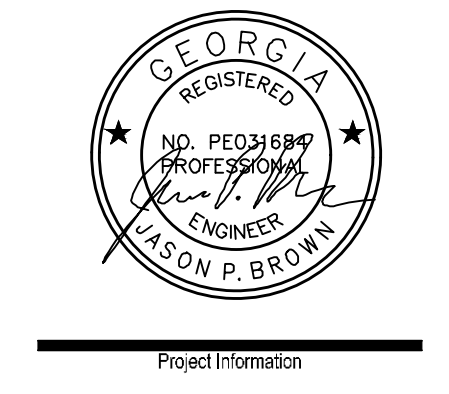
**THRUST COLLARS
NOT TO SCALE**

STANDARD DRAWING No. A-17



R
ROCKDALE WATER RESOURCES

**FIRE LINE SERVICE CONNECTION
AND POTABLE WATER METER
2\"/>**



DRAWING DATE:	07.19.22
DRAWN BY:	MSF
CHECKED BY:	JPB
REVISIONS	
DATE:	DESCRIPTION:

© Copyright 2022 georgia civil, inc.
This document and its reproduction are the property of Georgia Civil, Inc. and may not be reproduced, published, or used in whole or in part without the written consent of Georgia Civil, Inc.